

1977

2022

45 years

45 **KRPAN**<sup>®</sup>  
reliably stronger



Vitli **KRPAN** is proud to be the company with the longest **tradition in production of forestry winches in Slovenia**, which started in 1977. **45 years** of experience in this field clearly serve as the company's major competitive advantage, as well as a guarantee for quality, durability and the "strength" of its products.

The forestry winch still remains the most important product of the company, for Vitli KRPAN gladly presents itself as **the world's leading winch manufacturer**. The production range also includes hydraulic log splitters, tractor tipper boxes, circular saws with conveyor belts, firewood bundlers and wood grapples, which contribute to an increasing market share in domestic and foreign markets. We are proud to enrich our offer and launch forestry trailers with cranes and firewood processors.

Vitli KRPAN is the only European company providing a **3-year warranty** for its robust, reliable products with a distinct design and long-term use. Furthermore, the products are available at more than reasonable prices.

# **KRPAN**®

reliably **stronger**

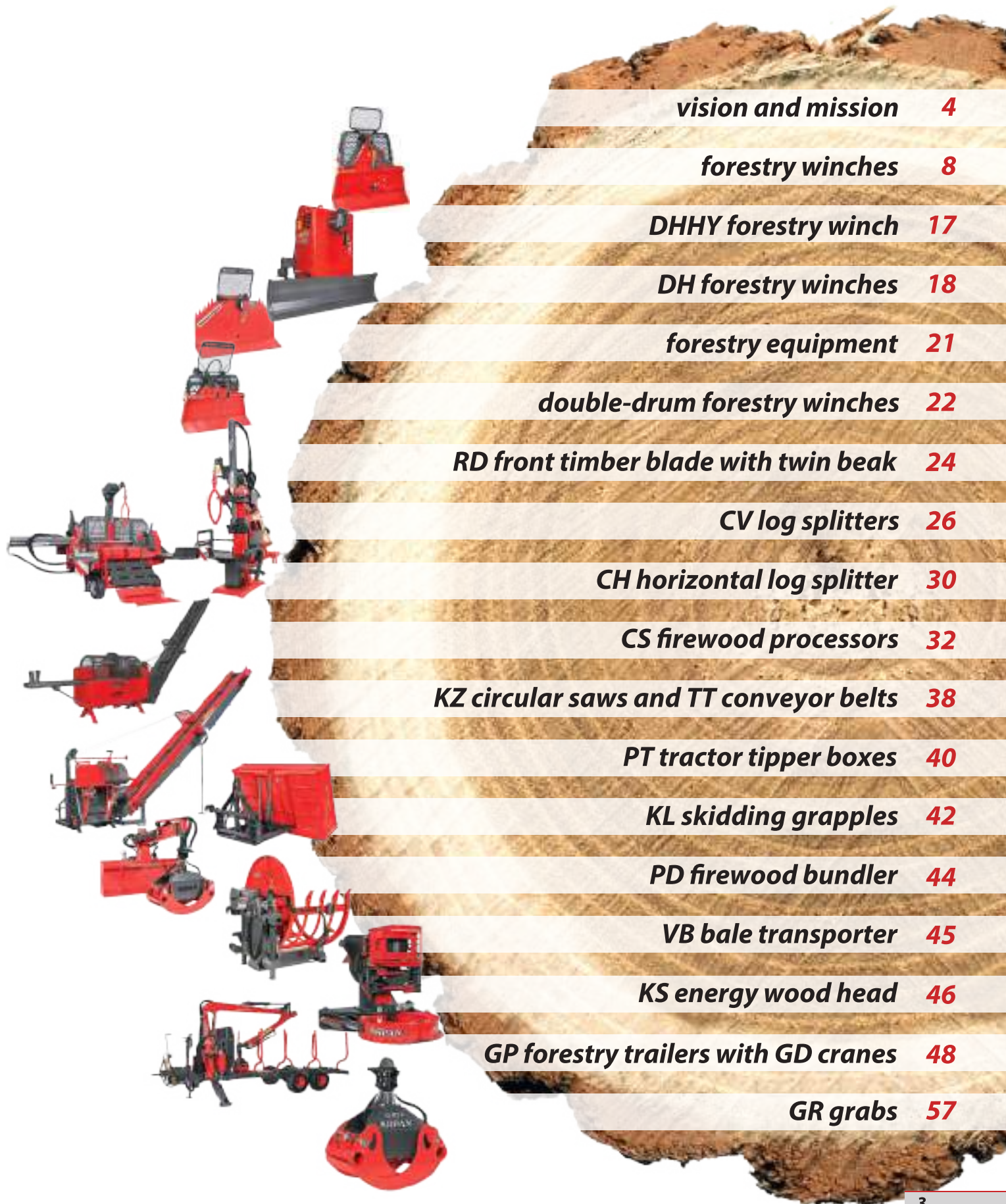


**100 %**  
*efficient  
end  
inspection.*



# contents

---



**vision and mission 4**

**forestry winches 8**

**DHHY forestry winch 17**

**DH forestry winches 18**

**forestry equipment 21**

**double-drum forestry winches 22**

**RD front timber blade with twin beak 24**

**CV log splitters 26**

**CH horizontal log splitter 30**

**CS firewood processors 32**

**KZ circular saws and TT conveyor belts 38**

**PT tractor tipper boxes 40**

**KL skidding grapples 42**

**PD firewood bundler 44**

**VB bale transporter 45**

**KS energy wood head 46**

**GP forestry trailers with GD cranes 48**

**GR grabs 57**

# vision and mission

Following its motto: "Together we will succeed", the company became a highly technologically developed enterprise with well-established position on the market.

All product sub-parts are manufactured internally, and the quality of production as well as of the materials used is controlled effectively. As a result, the company offers long life, robust machines, essential to all forestry operations.

The vision is to remain a flexible development company that listens to its customers and follows their suggestions in the machinery development process. At the same time, the goal is to maintain a friendly and motivating working environment and to assure a long-term development of the company.



Plasma cutting of sheet metal



Laser cutting of sheet metal



Robot bending



Chain wheel production



Milling, turning







# KRPAN®

reliably stronger



Robotic welding



Robotic welding



Sandblasting



Powder coating



Modern assembly line

The company regularly takes part in exhibitions, fairs, and assessment events in Slovenia and abroad. Continuous acknowledgements, awards and commendations show us that we are on the right way and that we do our work well. Furthermore, these recognitions promote continuous development and innovative solutions.

The positive feedback from our clients, who are satisfied with KRPAN products and trust them, show just how reliable partner the company is. And our wish is to remain such – **reliably stronger**.



Craftsman of 2005



Entrepreneur of the year 2016



German KWF Innovation Award 2016

**100 % efficient  
end inspection.**





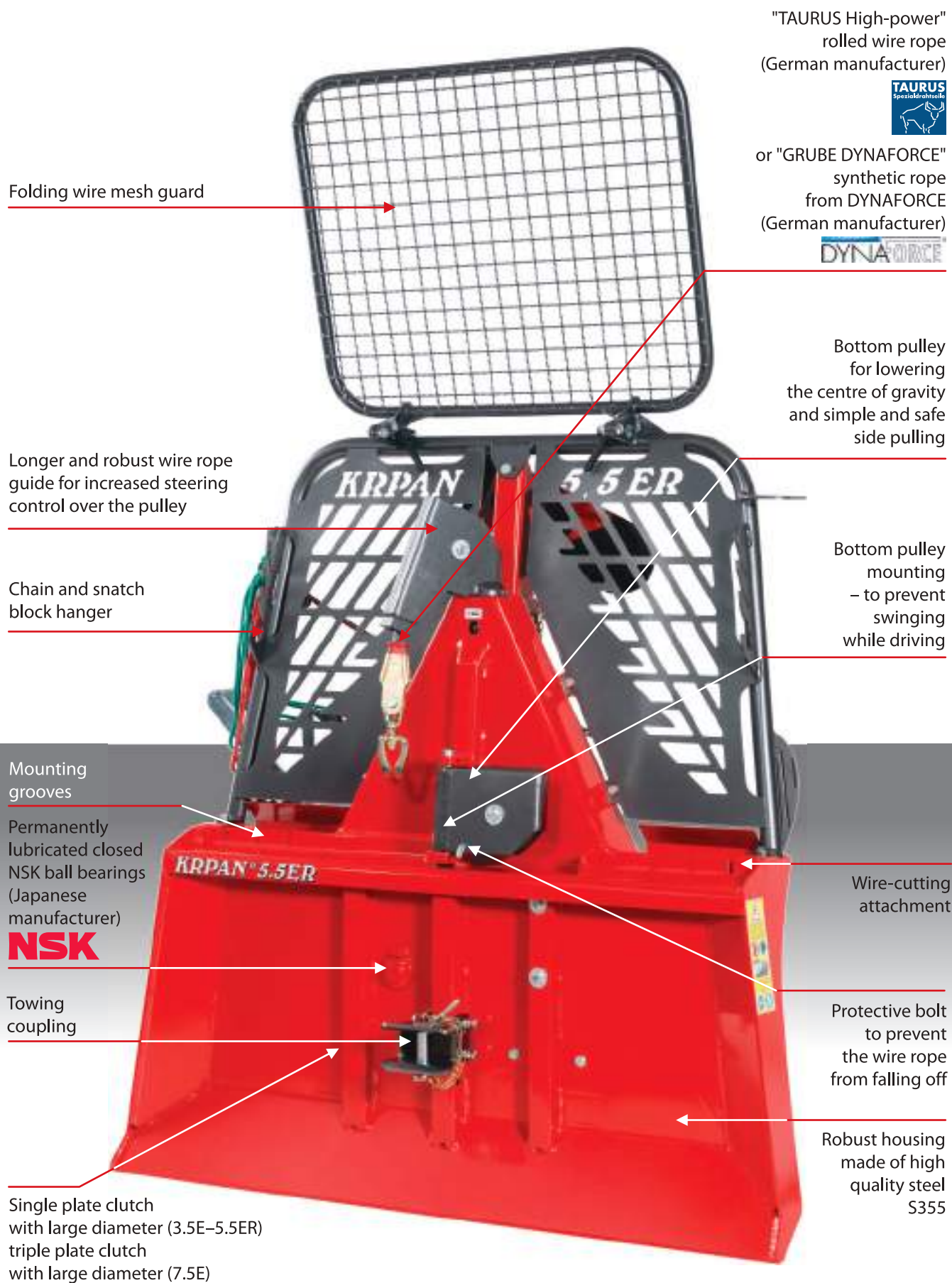








# detailed description of the **E** and **ER** series winch



"TAURUS High-power"  
rolled wire rope  
(German manufacturer)



or "GRUBE DYNAFORCE"  
synthetic rope  
from DYNAFORCE  
(German manufacturer)



Folding wire mesh guard

Longer and robust wire rope  
guide for increased steering  
control over the pulley

Chain and snatch  
block hanger

Mounting  
grooves

Permanently  
lubricated closed  
NSK ball bearings  
(Japanese  
manufacturer)



Towing  
coupling

Single plate clutch  
with large diameter (3.5E-5.5ER)  
triple plate clutch  
with large diameter (7.5E)

Bottom pulley  
for lowering  
the centre of gravity  
and simple and safe  
side pulling

Bottom pulley  
mounting  
- to prevent  
swinging  
while driving

Wire-cutting  
attachment

Protective bolt  
to prevent  
the wire rope  
from falling off

Robust housing  
made of high  
quality steel  
S355







# E and ER series forestry winches



**KR PAN 4,5E**



**KR PAN 4,5ER**



**KR PAN 3,5E**

TYPE	KR PAN 3,5E	KR PAN 4,5E	KR PAN 4,5ER
Pulling Capacity	35 kN (3,5t)	45 kN (4,5t)	45 kN (4,5t)
Brake Capacity	43,7 kN	56 kN	56 kN
Average Winching Speed	0,9 m/s	0,9 m/s	0,6 m/s
Standard Wire Rope Length	70 m / 8 mm	70 m / 9 mm	70 m / 9 mm
Maximum Wire Rope Length	100 m / 8 mm	130 m / 9 mm	130 m / 9 mm
Recommended Tractor Power	15-33 kW / 20-45 HP	24-39 kW / 33-53 HP	24-39 kW / 33-53 HP
Width	1210 mm	1415 mm	1415 mm
Depth	450 mm	490 mm	490 mm
Height with Wire Guard	2100 mm	2300 mm	2300 mm
Height without Wire Guard	1320 mm	1480 mm	1480 mm
Weight (without Wire Rope)	258 kg	339 kg	349 kg
Mounting Category	I.	I., II.	I., II.
Bottom Pulley	standard	standard	standard
Towing Coupling	standard	standard	standard
Hydraulic Pulley	/	/	/
Radio Remote Control	/	/	/



**3** year  
warranty

**KRPAN®**  
reliably stronger



**KRPAN 5,5ER**

**KRPAN 7,5E**

**KRPAN 5,5E**

TYPE	KRPAN 5,5E	KRPAN 5,5ER	KRPAN 7,5E
Pulling Capacity	55 kN (5,5t)	55 kN (5,5t)	75 kN (7,5t)
Brake Capacity	69 kN	69 kN	94 kN
Average Winching Speed	0,9 m/s	0,6 m/s	0,6 m/s
Standard Wire Rope Length	70 m / 10 mm	70 m / 10 mm	80 m / 12 mm
Maximum Wire Rope Length	100 m / 10 mm	100 m / 10 mm	100 m / 12 mm
Recommended Tractor Power	33-48 kW / 45-65 HP	33-48 kW / 45-65 HP	from 44 kW / from 70 HP
Width	1515 mm	1515 mm	1620 mm*
Depth	490 mm	490 mm	660 mm
Height with Wire Guard	2300 mm	2300 mm	2300 mm
Height without Wire Guard	1580 mm	1580 mm	1770 mm
Weight (without Wire Rope)	351 kg	364 kg	584 kg
Mounting Category	I., II.	I., II.	II., III.
Bottom Pulley	standard	standard	standard
Towing Coupling	standard	standard	standard
Hydraulic Pulley	/	/	/
Radio Remote Control	/	/	/

\*possibility of extending by 200 mm



# detailed description of the EH series winch

»TAURUS High-power«  
rolled wire rope  
(German manufacturer)



or »GRUBE DYNAFORCE«  
synthetic rope  
from DYNAFORCE  
(German manufacturer)



Chain and snatch  
block hanger

Large distance  
between the drum  
and upper pulley for  
winding the rope  
tightly and neatly

Mounting  
grooves

Folding wire  
mesh guard

**Patented hydraulic pulley  
with stop switch** holds the  
wire rope always under  
tension to the drum, which  
improves the quality of  
winding (optional)

Bottom pulley for  
optional lowering the  
centre of gravity and  
simple and safer  
side pulling

Wire-cutting  
attachment

Retaining pin to  
prevent the wire  
rope from falling off

Towing coupling

Robust housing  
made of high  
quality steel  
S355

**Hydraulically  
folding butt plate,**  
(7,5 EH; 9,5 EH)

**Patented axially movable chain wheel**  
for assistance in pulling on challenging  
terrains – enables quick braking  
(no decrease in power)

Single plate clutch  
with large diameter (4.5EH-5.5EH)  
triple plate clutch  
with large diameter (6.5EH-9.5EH)

Permanently lubricated  
closed NSK ball bearings  
(Japanese manufacturer)

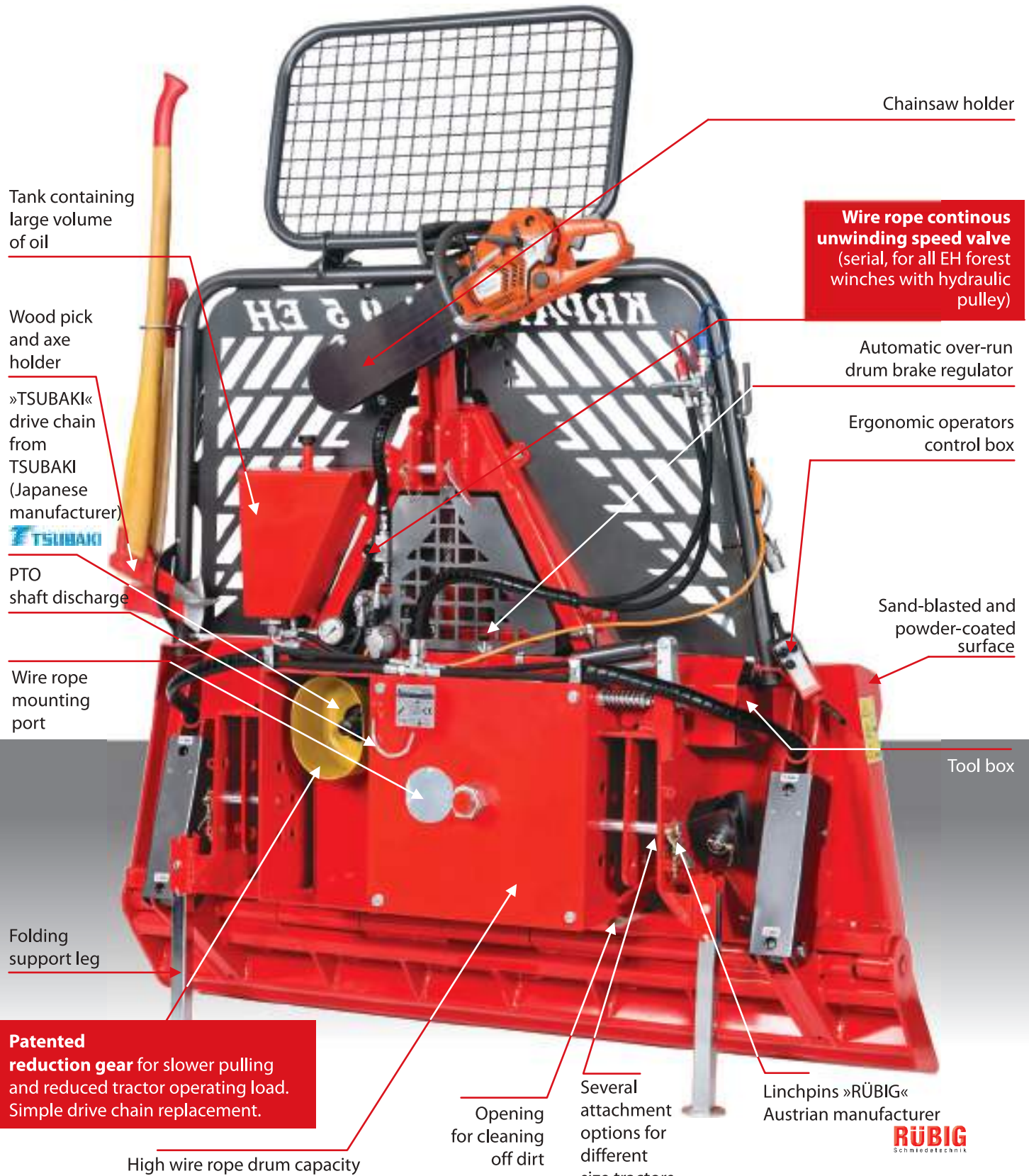


Wear-resistant blade made  
of fine-grained steel HARDOX 450  
of Swedish manufacturer  
**SSAB**



**3 year**  
warranty

**KRPAN®**  
reliably stronger



**Patented reduction gear** for slower pulling and reduced tractor operating load. Simple drive chain replacement.

High wire rope drum capacity

Opening for cleaning off dirt

Several attachment options for different size tractors

Linchpins »RÜBIG« Austrian manufacturer

**RÜBIG**  
Schmiedetechnik



ELCA remote control, 8 functions, Italian manufacturer



TERRA remote control, 8 functions, German manufacturer



Inclination sensor module BIASTEC; Austrian manufacturer





# EH series forestry winches



**KR PAN 4,5EH**



**KR PAN 5,5EH**

TYPE	KR PAN 4,5EH	KR PAN 5,5EH
Pulling Capacity	45 kN (4,5t)	55 kN (5,5t)
Brake Capacity	56 kN	69 kN
Average Winching Speed	0,6 m/s	0,6 m/s
Standard Wire Rope Length	70 m / 9 mm	70 m / 10 mm
Maximum Wire Rope Length	130 m / 9 mm	100 m / 10 mm
Recommended Tractor Power	24-39 kW / 33-53 HP	33-48 kW / 45-65 HP
Width	1415 mm	1515 mm*
Depth	490 mm	490 mm
Height with Wire Guard	2300 mm	2300 mm
Height without Wire Guard	1480 mm	1580 mm
Weight (without Wire Rope)	387 kg	413 kg
Mounting Category	I., II.	I., II.
Bottom Pulley	standard	standard
Towing Coupling	standard	standard
Hydraulic Pulley	optional	optional
Wire Rope Continuous Unwinding Speed Valve	standard**	standard**
Radio Remote Control	optional	optional
Folding Butt Plate	/	/





**3** year  
warranty

**KRPAN<sup>®</sup>**

reliably stronger



**KRPAN 6,5EH**



**KRPAN 8,5EH**



TYPE	KRPAN 6,5EH	KRPAN 8,5EH
Pulling Capacity	65 kN (6,5t)	85 kN (8,5t)
Brake Capacity	81 kN	106 kN
Average Winching Speed	0,6 m/s	0,6 m/s
Standard Wire Rope Length	80 m / 11 mm	100 m / 13 mm
Maximum Wire Rope Length	120 m / 11 mm	110 m / 13 mm
Recommended Tractor Power	44-66 kW 60-90 HP	from 59 kW from 80 HP
Width	1620 mm*	1820 mm*
Depth	660 mm	710 mm
Height with Wire Guard	2300 mm	2300 mm
Height without Wire Guard	1770 mm	1770 mm
Weight (without Wire Rope)	621 kg	684 kg
Mounting Category	II., III.	II., III.
Bottom Pulley	standard	standard
Towing Coupling	standard	standard
Hydraulic Pulley	optional	optional
Wire Rope Continuous Unwinding Speed Valve	standard**	standard**
Radio Remote Control	optional	optional
Folding Butt Plate	/	/

\*the possibility of extending by 200 mm  
\*\*with EH model with hydraulic pulley





# EH series forestry winches



**KRPA 5,5FEH**

**KRPA 7,5EH**

**KRPA 9,5EH**

TYPE	KRPA 5,5FEH	KRPA 7,5EH	KRPA 9,5EH
Pulling Capacity	55 kN (5,5t)	75 kN (7,5t)	95 kN (9,5t)
Brake Capacity	69 kN	94 kN	119 kN
Average Winching Speed	0,9 m/s	0,6 m/s	0,6 m/s
Standard Wire Rope Length	70 m / 10 mm	100 m / 12 mm	100 m / 14 mm
Maximum Wire Rope Length	100 m / 10 mm	100 m / 12 mm	100 m / 14 mm
Recommended Tractor Power	33-48 kW / 45-65 HP	51-73 kW / 70-100 HP	from 66 kW / from 90 HP
Width	1515 mm*	1820 mm	2020 mm**/**
Depth	490 mm	660 mm	710 mm
Height with Wire Guard	2300 mm	2350 mm	2350 mm
Height without Wire Guard	1800 mm	1880 mm	1880 mm
Weight (without Wire Rope)	452 kg	786 kg	840 kg
Mounting Category	I., II., front	II., III.	II., III.
Bottom Pulley	standard	standard	standard
Towing Coupling	standard	standard	standard
Hydraulic Pulley	optional	standard	standard
Wire Rope Continuous Unwinding Speed Valve	standard***	standard	standard
Radio Remote Control	optional	optional	optional
Folding Butt Plate	/	standard	standard

## 7,5 EH and 9,5 EH

### professional models with a folding butt plate

- large distance of winch from the ground - advantage on rugged terrain
- easier towing of logs as they lean against the butt plate
- logs do not lean against the winch which proves to be an advantage while steering
- hydraulic pulley standard

### Combined winch for front or rear hydraulic attachment (5,5 FEH)

A special reduction gear reverses the rotation direction and decreases the RPM from 1000 to 540 min<sup>-1</sup>.

\* possibility of extending by 200 mm  
 \*\* possibility of extending by 400 mm  
 \*\*\* with FEH model with hydraulic pulley



# DHHY forestry winch

**KRPAN**<sup>®</sup>  
reliably stronger



**KRPAN 8,5 DHHY**

TYPE	KRPAN 6,5 DHHY	KRPAN 8,5 DHHY
Constant Pulling Power	65 kN (6,5 t) constant	85 kN (8,5 t) constant
Brake Power	81 kN	106 kN
Drive	Hydrodrive	Hydrodrive
Standard Wire Rope Length	120 m / 11 mm	120 m / 13 mm
Max. Wire Rope Length	190 m / 11 mm	130 m / 13 mm
Wire rope speed	Infinitely adjustable	Infinitely adjustable
Hydromotor pressure to drive the winch	180 bar	240 bar
Recommended oil flow of hydromotor	200 (l/min)	200 (l/min)
Hydraulic Pulley	standard	standard
Pulley speed valve	standard	standard
Remote Control	optional	optional
Differential Drive	standard	standard
Operating pressure	185 bar	195 bar
Max. hydromotor pressure	300 bar	300 bar
Max. oil flow of hydromotor	250 (l/min)	250 (l/min)
Width	773 mm	773 mm
Depth	935 mm	935 mm
Height	1155 mm	1155 mm
Weight without Wire Rope	853 kg	853 kg
Timber blade	optional	optional
Mounting Category	II.	II.



**new winch KRPAN 6.5 DHHY and 8.5 DHHY with hydraulic drive and constant pulling power.**

Possibility of mounting on: harvesters, excavators, municipal tractors special machines, etc.



# detailed description of the DH series winch

Folding wire mesh guard

»TAURUS High-power«  
rolled wire rope  
(German manufacturer)



Radio remote control TERRA  
with inclination sensor module

Chainsaw holder

Pivoting hydraulic  
pulley

Chain and snatch  
block hanger

Permanently  
lubricated closed  
NSK ball bearings  
(Japanese  
manufacturer)  
**NSK**

Plain butt  
plate  
(no wood  
jam)

Coupling

**constant pulling power**

**Hydraulically folding  
butt plate (optional)**

Sand-blasted and  
powder-coated surface

Wear-resistant blade made  
of fine-grained steel  
HARDOX 450  
of Swedish manufacturer  
**SSAB**

Four plate clutch  
with large  
diameter

Robust housing made  
of fine-grained steel  
STRENX 700 of Swedish  
manufacturer  
**SSAB**



**3** year  
warranty

**KRPAN**<sup>®</sup>  
reliably stronger

Wire rope brake  
for even winding

Tank containing  
large volume  
of oil

Pressing  
roller for even  
winding of the  
wire rope

Wire rope  
continuous  
unwinding  
speed  
valve

Folding  
support leg

Helical bevel gear enables  
98 % drive efficiency  
(lower fuel consumption)

Central positioning of the  
P.T.O. shaft attachment  
(lower load on drive components  
and on P.T.O. shaft)

Patented swivel  
feed arm for even  
wire rope winding  
with hydraulic pulley  
with stop switch

Wood pick and axe holder

High wire rope  
drum capacity

Patented safety  
mechanism  
to stop rope winding  
when the drum is full

Large tool  
box

Coupling  
storage

Patented hydraulic  
system with pressure  
regulator for constant  
pulling power

Several attachment  
options for different  
size tractors

Linchpins »RÜBIG«  
Austrian manufacturer

**RÜBIG**  
Schmiedetechnik



# DH series forestry winches



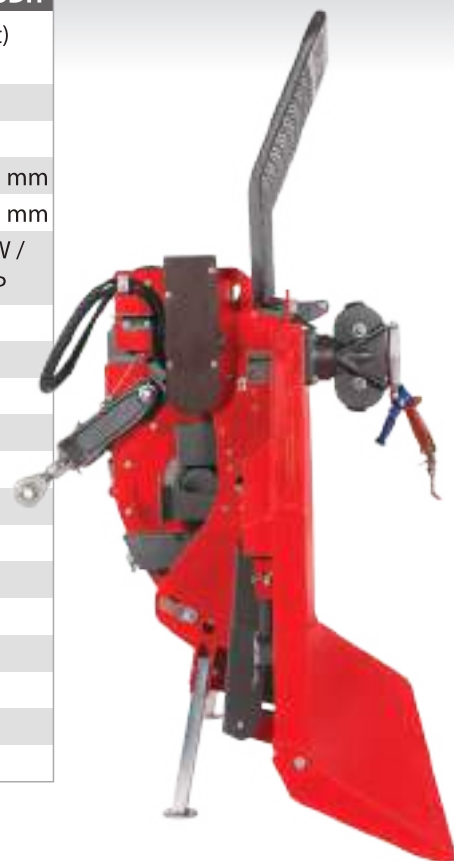
**KR PAN 6,5DH**



**KR PAN 8,5DH**



TYPE	KR PAN 6,5DH	KR PAN 8,5DH
Pulling Power	65 kN (6,5t) constant	85 kN (8,5t) constant
Brake Power	162 kN	212 kN
Average Wire Rope Speed	0,5 m/s	0,5 m/s
Standard Wire Rope Length	120 m / 11 mm	120 m / 13 mm
Max. Wire Rope Length	190 m / 11 mm	130 m / 13 mm
Required Tractor Power	from 48 kW / from 65 HP	from 62 kW / from 85 HP
Width	1800 mm*	1800 mm*
Depth	660 mm	660 mm
Height Including Wire Guard	2300 mm	2300 mm
Height without Wire Guard	1800 mm	1800 mm
Weight without Wire Rope	734 kg	834 kg
Coupling Category	II., III.	II., III.
Bottom Pulley	/	/
Coupling	standard	standard
Hydraulic Pulley	standard	standard
Remote Control	standard	standard
Wire Rope Continuous Unwinding Speed Valve	optional	optional
Differential Drive	standard	standard
Hydraulically Folding Butt Plate	optional	optional



\*Possibility of extending by 200 mm, 400 mm





### Keyhole Sliders, Rope End Caps

TYPE	CAPACITY	WIRE ROPE DIAMETER	WEIGHT
Keyhole Slider POK	50 kN	8 mm – 13 mm	0,6 kg
Keyhole Slider "V" VERIGA	100 kN	11 mm – 13 mm	1,1 kg
Rope End Cap Type 1 POK	90 kN	11 mm – 13 mm	1,4 kg
Rope End Cap Type 3 POK	50 kN	8 mm – 10 mm	1,1 kg

### Snatch Blocks and Accessories

TYPE	CAPACITY	WIRE ROPE DIAMETER	WEIGHT
Snatch Block 140 – 15 POK	40 kN	8 mm – 11 mm	6,5 kg
Snatch Block 140 – 18 POK	60 kN	11 mm – 14 mm	8,5 kg
Snatch Block KRPAN-5,5 t	55 kN	8 mm – 11 mm	5,5 kg
Snatch Block KRPAN-11 t	110 kN	11 mm – 14 mm	7,1 kg

TYPE	DESCRIPTION	WEIGHT
Round Sling WLL 4000 kg	usable length = 3m	3,0 kg
Round Sling WLL 8000 kg	usable length = 3m	6,0 kg
Bow Shackle 6.5t	25 mm Ø pin	1,5 kg

### "PEWAG" JOKER choker chains– square section

TYPE	DIAMETER	BREAKING FORCE	LENGTH	WEIGHT
PEWAG, V 7-2	7 mm	72 kN	2 m	3,2 kg
PEWAG, V 7-2.5	7 mm	72 kN	2,5 m	3,5 kg
PEWAG, V 8-2.5	8 mm	96 kN	2,5 m	5,5 kg
PEWAG, V 8-3	8 mm	96 kN	3 m	6,7kg

V 7-2, V 7-2.5 (chains suitable for a 3,5-5,5 t winch) V 8-2.5, V 8-3 (chains suitable for a 6,5-8,5 t winch)

### "WALTERSCHEID" PTO shafts

TYPE	CROSS	LENGTH	WEIGHT
WALTERSCHEID W 2300 E	27 mm	560 mm	9,1 kg
WALTERSCHEID W 2400 E	32 mm	560 mm	12,6 kg

W 2300 – suitable for 3,5-5,5 t winches  
W 2400 – suitable for 6,5-9,5 t winches

TYPE	WEIGHT
Wood Pick, helved, 1.2 kg, BIZOVIČAR	1,2 kg
Wood Pick, helved, 2.0 kg, BIZOVIČAR	2,0 kg
Axe with Handle, 1.5 kg, BIZOVIČAR	1,5 kg

### "TAURUS High-Power" wire ropes (6 F-V; 6x25; 150 wires – extremely flexible)

TYPE	MIN. BREAKING LOAD (kN)	CALCUL. BREAKING LOAD (kN)	WEIGHT
8 mm, swaged cross-section, 1960 N/mm <sup>2</sup>	71.06	86,66	0,378 kg
9 mm, swaged cross-section, 1960 N/mm <sup>2</sup>	90.92	110,88	0,462 kg
10 mm, swaged cross-section, 1960 N/mm <sup>2</sup>	110.20	134,39	0,554 kg
11 mm, swaged cross-section, 1960 N/mm <sup>2</sup>	130.50	159,15	0,655 kg
12 mm, swaged cross-section, 1960 N/mm <sup>2</sup>	150.69	183,77	0,764 kg
13 mm, swaged cross-section, 1960 N/mm <sup>2</sup>	172.18	209,98	0,881 kg
14 mm, swaged cross-section, 1960 N/mm <sup>2</sup>	191.17	233,13	1,010 kg
<b>"TAURUS" wire rope (6x7 + FE; 42 wires – flexible)</b>			
6 mm, galvanized, 1770 N/mm <sup>2</sup>	21.10	23,50	0,129 kg

# double-drum forestry winches

## WINCH ADVANTAGES:

**Large pulling capacity even when the drum is fully wound (favourable empty and full drum pulling force ratio).**

**Spiral bevel gear enables 98% drive efficiency** which requires a substantially less tractor power and **enables smaller fuel consumption**, lower CO emission, and better efficiency.



 **KRPAN 2x10EH, fixed installation**





**3 year**  
warranty

**KRPAN®**

reliably stronger



**KRPAN 2x8EH**, fixed butt plate



**KRPAN 2x10EH**, folding butt plate

TYPE	FIXED INSTALLATION	THREE POINT LINKAGE FIXED PLATE		THREE POINT LINKAGE FOLDING PLATE	
	KRPAN 2X8EH	KRPAN 2X8EH	KRPAN 2X10EH	KRPAN 2X8EH	KRPAN 2X10EH
Pulling Capacity	75 kN (7,5t)	75 kN (7,5t)	95 (9,5t)	75 kN (7,5t)	95 (9,5t)
Brake Capacity	94 kN	94 kN	119 kN	94 kN	119 kN
Average Winching Speed	0,5 m/s	0,5 m/s	0,5 m/s	0,5 m/s	0,5 m/s
Standard Wire Rope Length	80 m / 12 mm	80 m / 12 mm	80 m / 14 mm	80 m / 12 mm	80 m / 14 mm
Maximum Wire Rope Length	100 m / 12 mm	100 m / 12 mm	80 m / 14 mm	100 m / 12 mm	80 m / 14 mm
Recommended Tractor Power	from 59 kW / 80 HP	from 59 kW / 80 HP	from 74 kW / 100 HP	from 59 kW / 80 HP	from 74 kW / 100 HP
Width	840 mm	2020 mm*	2020 mm*	2020 mm*	2020 mm*
Depth	650 mm	820 mm	820 mm	1020 mm	1020 mm
Height with Wire Guard	/	2300 mm	2300 mm	2300 mm	2300 mm
Height without Wire Guard	520 mm	1620 mm	1620 mm	1620 mm	1620 mm
Weight without Wire Rope	450 kg	942 kg	952 kg	1068 kg	1078 kg
Mounting Category	/	II., III.	II., III.	II., III.	II., III.
Hydraulic Pulley	optional	optional	optional	optional	optional
Wire Rope Continuous Unwinding Speed Valve	standard <sup>l**</sup>	standard <sup>**</sup>	standard <sup>l**</sup>	standard <sup>**</sup>	standard <sup>**</sup>
Radio Remote Control	optional	optional	optional	optional	optional

\* possibility of extending by 200 mm or by 400 mm

\*\* with double-drum forestry winches with hydraulic pulley



# front timber blade with twin beak

Sand-blasted and powder-coated surface

Grid for better range of vision

Log customized construction

Twin beak for improved load stability

**RD 1800 pro**

Two hollow reinforcing profiles allow additional load weight

Robust housing made of high quality steel

Wear-resistant blade made of finegrained steel HARDOX 450  
**SSAB**

TYPE	RD 1800	RD 2000	RD 1800 pro	RD 2000 pro
Width	1840 mm	2040 mm	1840 mm	2040 mm
Lenght	533 mm	533 mm	585 mm	585 mm
Height	952 mm	952 mm	955 mm	955 mm
Weight	260 kg	280 kg	360 kg	370 kg
Max. Opening Width	/	/	1000 mm	1000 mm
Max. Load Diameter	/	/	Ø 500 mm	Ø 500 mm
Max. Operating Pressure	/	/	180 bar	180 bar
Control	/	/	double-acting valve	double-acting valve
Mounting Category	II.	II.	II.	II.
Required Tractor	>100 KM	>100 KM	>100 KM	>100 KM
Power				
Support Legs	standard	standard	standard	standard



Support legs



**RD 1600 E**

TYPE	RD 1600 E
Width	1600 mm
Length	570 mm
Height	930 mm
Weight	220 kg
Max. Opening Width	990 mm
Max. Load Diameter	Ø 650 mm
Max. Operating Pressure	180 bar
Control	double-acting valve
Mounting Category	Euro hitch front loader brackets
Required Tractor Power	> 80 HP
Support Legs	standard







**KRPAN<sup>®</sup>**  
reliably stronger







# log splitter CV 18 mobile

Left lever of the two-handed start with an integrated wood holder

Adjustable height for easier transportation and storage

"2 Speed Automatic" valve with two automatic splitting speed levels, depending on operating load on the wedge

Petrol engine HONDA GX 390

Sand-blasted and powder coated surface

Axe with a single 4° -inclined wedge to enter wood with ease

Hydraulic shift from transport to operating position and back

**OPERATING POSITION**  
(with trailer)

**Lifting device plate** for short logs - optional

Trailer TPV EU 2 (can be used separately; load capacity: 635 kg)

**Splitting table with extension** for short logs - optional

**Mechanical log lifting device**

Integrated double-bottom tank containing a large volume of oil

Supporting leg

Large steel base that can be walked on (to prevent logs from sliding)

Brass guiding

**TRANSPORT POSITION**



**OPERATING POSITION**  
(without trailer)



TYPE	CV 18 mobile
Drive	Petrol Engine 8.7 kW/11.8 HP
Splitting Force (t)	17
Piston Stroke (mm)	970
Splitting Height (mm)	550/1100
Splitting Speed (H1-H2 )-R* (s/1m)	(4.0-7.9) - 4.1
Hydraulic Oil (l/tip)	35 / ISO VG 46 HVLPD
Oil Flow (l/min)	47 (3600 min <sup>-1</sup> )
Dimensions (WxLxH)(H <sub>T</sub> ) ** (mm)	1500x3620 x2840x(1450)
Weight (kg)	610
Splitting Table with Extension	optional
Winch 750 kg	/
Lifting Device for Short Logs	optional

\* H<sub>1</sub>- second gear;

H<sub>1</sub>- first gear; R- cylinder return

\*\* H<sub>T</sub> - transport height





# detailed description of the CV log splitter

Adjustable height for easier transportation and storage

**750 kg hydraulic winch with the radio remote control;** with 15 m of 6 mm Ø wire rope (option)

Oil filtration on return line

Sand-blasted and powder coated surface

"2 Speed Automatic" valve with two automatic splitting speed levels, depending on operating load on the wedge

**Winch tongs** - optional

Oil level indicator

Axe with a single 4° -inclined wedge to enter wood with ease

PTO shaft discharge

**Lifting device** plate for short logs - optional

Chainsaw holder

Mechanical log lifting device

**Cast-iron pump** for silent operation without maintenance (standard)

**Splitting table with extension** for short logs - optional

Wood pick and axe holder

Integrated double-bottom tank containing a large volume of oil

Large steel base that can be walked on (to prevent logs from sliding)



Hydraulic winch (optional) with speed regulator and radio remote control



Wheels with pulling handle standard with E and EK models



Left lever of the two-handed start with an integrated wood holder



Additional lifting device for short logs-optional

# CV log splitters



**Log Splitter CV**  
with hydraulic Winch



**Log Splitter CV**  
with mechanical Winch



**KRPAN CV 14 pro**



TYPE	CV 14 K pro	CV 14 E pro 400 V	CV 14 EK pro 400 V
Drive and Description	P.T.O. Shaft	EM 5.5 kW / 7.5 HP	EM 5.5 kW / 7.5 HP + P.T.O. Shaft
Splitting Force (t)	13	13	13
Piston Hub (mm)	970	970	970
Splitting Height (mm)	550/1100	550/1100	550/1100
Splitting Speed (S <sub>2</sub> -S <sub>1</sub> )-R* (s/1000 mm)	(3.3-5.9)-2.6	(4.9-8.7)-3.9	(4.9-8.7)-3.9 (3.3-5.9)-2.6
Max. Shaft Rotations (l/min)	52 (540 min <sup>-1</sup> )	27 (1400 min <sup>-1</sup> )	27 (1400 min <sup>-1</sup> ) 52 (540 min <sup>-1</sup> )
Oil Quantity in Tank (l)	30	30	30
Recommended Tractor Power (kW/HP)	21/29	x	21/29
Dimensions WxLxHx(H <sub>T</sub> )** (mm)	805x1160x 2840x(1850)	805x1160x 2840x(1850)	805x1160x 2840x(1850)
Weight CV (kg)	385	402	424
Splitting Table with Extension	optional	optional	optional
Cast-Iron Pump	standard	/	standard
Winch	optional	/	optional
Lifting Device	optional	optional	optional

\*S<sub>2</sub>- second gear; S<sub>1</sub>- first gear; R – reverse movement of the cylinder  
\*\* H<sub>T</sub> – transport height; transport height with winch is 2100 mm



**3 year**  
warranty

**KRPAN®**  
reliably stronger



**KRPAN CV 18 pro**

**KRPAN CV 22 pro**

**KRPAN CV 26 pro**

CV 18 K pro	CV 18 E pro 400 V	CV 18 EK pro 400 V	CV 22 K pro	CV 22E pro 400 V	CV 22 EK pro 400 V	CV 26 K pro	CV 26 E pro 400 V	CV 26 EK pro 400 V
P.T.O. Shaft	EM 5.5 kW / 7.5 HP	EM 5.5 kW / 7.5 HP + P.T.O. Shaft	P.T.O. Shaft	EM 7.5 kW / 10 HP	EM 7.5 kW / 10 HP + P.T.O. Shaft	P.T.O. Shaft	EM 7.5 kW / 10 HP	EM 7.5 kW / 10 HP + P.T.O. Shaft
17	17	17	21	21	21	25	25	25
970	970	970	970	970	970	970	970	970
550/1100	550/1100	550/1100	550/1100	550/1100	550/1100	550/1100	550/1100	550/1100
(3.1-6.3)-3.2	(4.9-9.8)-5,0	(4.9-9.8)-5,0 (3.1-6.3)-3.2	(3.6-7.2)-3,6	(5.6-11.1)-5.6	(5.6-11.1)-5.6 (3.6-7.2)-3,6	(4.1-7.8)-3.7	(6.5-12.4)-5.9	(6.5-12.4)-5.9 (4.1-7.8)-3.7
64 (540 min <sup>-1</sup> )	27 (1400 min <sup>-1</sup> )	27 (1400 min <sup>-1</sup> ) 64 (540 min <sup>-1</sup> )	73 (540 min <sup>-1</sup> )	30 (1400 min <sup>-1</sup> )	30 (1400 min <sup>-1</sup> ) 73 (540 min <sup>-1</sup> )	81 (540 min <sup>-1</sup> )	30 (1400 min <sup>-1</sup> )	30 (1400 min <sup>-1</sup> ) 81 (540 min <sup>-1</sup> )
35	35	35	40	40	40	45	45	45
25/34	x	25/34	27/37	x	27/37	30/41	x	30/41
805x1160x 2840x(1850)	805x1160x 2840x(1850)	805x1160x 2840x(1850)	805x1260x 2850x(1850)	805x1260x 2850x(1850)	805x1260x 2850x(1850)	805x1260x 2850x(1850)	805x1260x 2850x(1850)	805x1260x 2850x(1850)
402	418	441	457	475	499	482	499	524
optional	optional	optional	optional	optional	optional	optional	optional	optional
standard	/	standard	standard	/	standard	standard	/	standard
optional	/	optional	optional	/	optional	optional	/	optional
optional	optional	optional	optional	optional	optional	optional	optional	optional

\*S<sub>2</sub>- second gear; S<sub>1</sub>- first gear; R – reverse movement of the cylinder

\*\* H<sub>t</sub> – transport height; transport height with winch is 2100 mm



# detailed description of horizontal splitter CH 32

**750 kg hydraulic winch** with 15 mm  $\Phi$  6 mm wire rope and radio remote control (option)

Woodpick holder

»2 Speed Automatic« valve with two automatic splitting speed levels, depending on operating load on the wedge

**6- or 8. way splitting wedge** (option)

Large pushing surface

Adjustable total width for easier transport and storage

Oil cooler

Integrated oil tank with large oil content

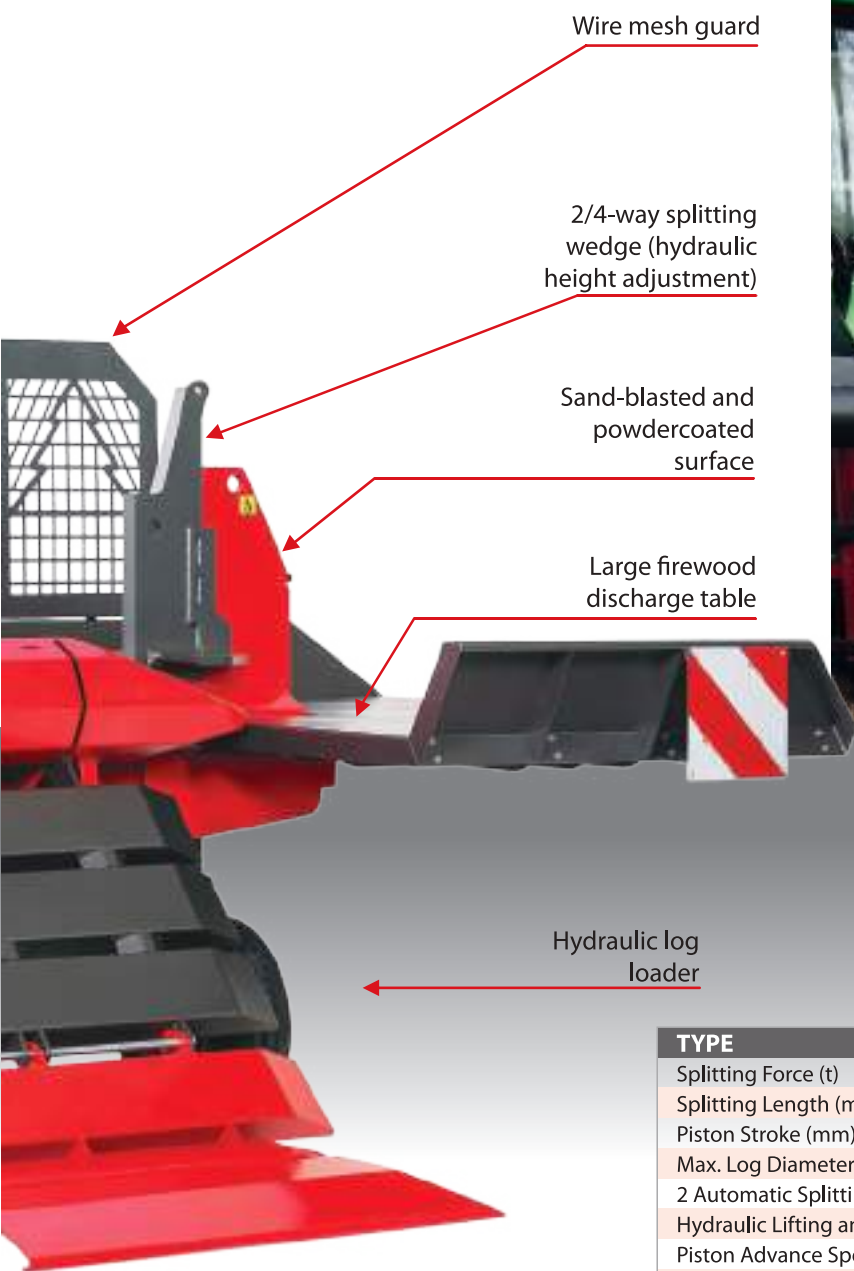
**Patented system for guides lubrication**

Wheels for easier transport



**TRANSPORT POSITION**



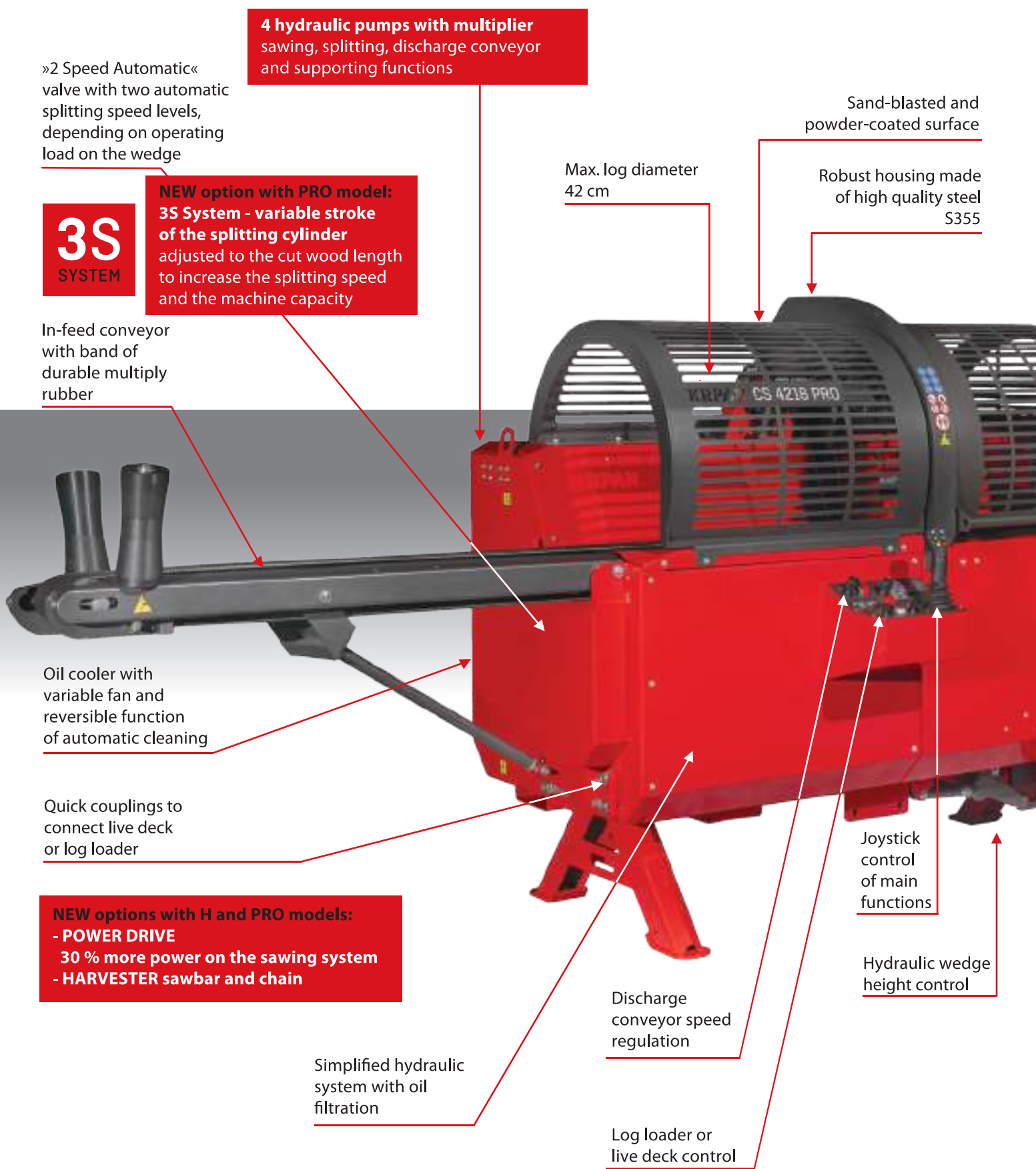


TYPE	CH 32 K
Splitting Force (t)	31
Splitting Length (mm)	1260
Piston Stroke (mm)	1265
Max. Log Diameter (mm)	1000
2 Automatic Splitting Speeds	standard
Hydraulic Lifting and Lowering of the Wedge	standard
Piston Advance Speed (Stage 1/ Stage 2) (cm/s)	14/28
Piston Return Speed (cm/s)	28
Oil Quantity in Tank (l)	100
Required Tractor Capacity (kW/HP)	35/48
3 Point Linkage Category	II
L x W x H /(*H) - Working Position (mm)	2500 x 4510 x 1815 / (*2650)
L x W x H /(*H) - Transport Position (mm)	2000 x 2600 x 1815 / (*2650)
Weight (kg)	1476
Firewood Deposit Table (990 x 1925 mm)	standard
Chassis with Wheels and Towing Bar	standard
Oil Cooler	standard
2/4 -Way Wedge	standard
6 or 8 -Way Wedge	optional
Hydraulic Winch with Radio Remote Control Elca PIC Minimal	optional

(\*H)= height with winch



# CS firewood processors



**4 hydraulic pumps with multiplier**  
sawing, splitting, discharge conveyor  
and supporting functions

»2 Speed Automatic«  
valve with two automatic  
splitting speed levels,  
depending on operating  
load on the wedge

**3S  
SYSTEM**

**NEW option with PRO model:  
3S System - variable stroke  
of the splitting cylinder**  
adjusted to the cut wood length  
to increase the splitting speed  
and the machine capacity

In-feed conveyor  
with band of  
durable multiply  
rubber

Max. log diameter  
42 cm

Sand-blasted and  
powder-coated surface

Robust housing made  
of high quality steel  
S355

Oil cooler with  
variable fan and  
reversible function  
of automatic cleaning

Quick couplings to  
connect live deck  
or log loader

**NEW options with H and PRO models:**  
- **POWER DRIVE**  
30 % more power on the sawing system  
- **HARVESTER sawbar and chain**

Simplified hydraulic  
system with oil  
filtration

Discharge  
conveyor speed  
regulation

Log loader or  
live deck control

Joystick  
control  
of main  
functions

Hydraulic wedge  
height control





**3 year**  
warranty

Telescopic 5 m discharge conveyor with continuous speed control

Flap guard to prevent the firewood from rolling down

Winch to set the conveyor inclination

Inclination indicator

Hydraulic conveyor swinging left-right

**KRPAN CS 4218 PRO**

Double sides of the splitting chute made of STRENX. Sandwich construction reinforced by HARDOX.



**TRANSPORT POSITION**

Splitting wedges made of fine-grained steel HARDOX 450 of Swedish manufacturer **SSAB**



**SPLITTING WEDGES**



# CS firewood processors



**KRPAN CS 4218 M**  
the entry-level model with simple mechanical controls



**KRPAN CS 4218 H**  
with manual hydraulic control levers



**KRPAN CS 4218 PRO**  
**controlled by joystick**  
all movements of individual assemblies are performed electro-hydraulically, except for the setting of the firewood length limiter



Quick user's manual





TYPE	KRPAN CS 4218 M	KRPAN CS 4218 H	KRPAN CS 4218 PRO
Cut Log Length (cm)	20, 25, 30, 33, 40, 50	20, 25, 30, 33, 40, 50	20, 25, 30, 33, 40, 50
Cut Log Diameter (cm)	10-42	10-42	10-42
Sawbar	Husqvarna	Husqvarna	Husqvarna
Chain	Husqvarna C85	Husqvarna C85	Husqvarna C85
Splitting Force (t)	18	18	18
Splitting System »2 Speed Automatic«	standard	standard	standard
Control	mechanical levers	manual hydraulic control levers	solenoid valves and joystick
Oil Quantity in Tank (l)	100	100	100
Necessary Tractor Capacity (kW/HP)	37/50	37/50	37/50
Discharge Conveyor - swinging (5 m)	mechanical	hydraulic	hydraulic
Discharge Speed - with Continuous Speed Control (m/s)	0-1	0-1	0-1
Weight with Discharge Conveyor (kg)	1555	1570	1570
W x L x H - working position (mm)	1420 x 7600 x 3900	1420 x 7600 x 3900	1420 x 7600 x 3900
W x L x H - transport position (mm)	1420 x 2450 x 2830	1420 x 2450 x 2830	1420 x 2450 x 2830
PTO Drive Shaft	standard	standard	standard
Walterscheid W 2300 SD 15 (L=710)			
Wide angle PTO Drive Shaft	optional	optional	optional
Walterscheid WWZ 2480			
Operating Hours Counter	standard	standard	standard
Splitting Wedge 4-Way	standard	standard	standard
Splitting Wedge 6; 8; 12-Way	optional	optional	optional
Saw Dust Extractor (integrated, hydraulic or electric)	optional	optional	optional
Separator	optional	optional	optional
3S - System (Variable Stroke of the Splitting Cylinder)	/	/	optional
Power Drive	/	optional	optional
Harvester Sawbar and Chain	/	optional	optional

# firewood processors accessories



**Log Loader MD**

TYPE	MD 500
Drive	Hydraulic System CS
Control	CS Control
Lifting Force (N)	5000
L x W x H (mm)	1860 x 1420 x 1145
Weight (kg)	159
No of Driven Rollers	2



**Roller Table MV**

TYPE	MV 2000
Drive	Hydraulic System CS
Control	CS Control
L x W x H (mm)	2005 x 918 x 612
Weight (kg)	118
No of Driven Rollers	3



**Live Deck RV 45**

TYPE	RV 45	RV 45 M
Drive	CS Hydraulic System	CS Hydraulic System
Control	CS Control	CS Control
Length x Width x Height (mm)	3890 x 2005 x 1315	3890 x 2005 x 1315
Weight (kg)	449	529
Necessary Working Surface (m)	approx. 9 x 4,5	approx. 9 x 4,5
Log Length (m)	up to 6	up to 6
Load Capacity (t/m <sup>3</sup> )	4,2/ 6	4,2/ 6
Hydraulically Driven Infeed Rollers (pcs)	3	3
Hydraulically Driven Cross Feed Chains (pcs)	2 (standard) 3 (optional)	2 (standard) 3 (optional)



**Live Deck RV 45 M**



**Live Deck RV 45 - 3. Line**



**3 year**  
warranty

**KRPAN®**  
reliably stronger



**Separator**

TYPE	SR 30	SR 40
Distance among the laths	30 mm	40 mm
Weight (kg)	30 kg	30 kg



TYPE	SE 25 H	SE 40 H	SE 60 H	SE 80 H
Drive	hydro	hydro	hydro	hydro
Required Oil Flow	25 l/min	40 l/min	60 l/min	80 l/min
RPM	2800 min <sup>-1</sup>	2800 min <sup>-1</sup>	2800 min <sup>-1</sup>	2800 min <sup>-1</sup>
Pressure Tube Diameter and Length	Ø 140 mm; Length 5 m	Ø 140 mm; Length 5 m	Ø 140 mm; Length 5 m	Ø 140 mm; Length 5 m
Suction Tube Diameter and Length	Ø 140 mm; Length 3 m	Ø 140 mm; Length 3 m	Ø 140 mm; Length 3 m	Ø 140 mm; Length 3 m
Length x Width x Height	500 x 600 x 1100 mm	500 x 600 x 1100 mm	500 x 600 x 1100 m	500 x 600 x 1100 m
Weight (kg)	28 kg	30 kg	33 kg	34 kg

TYPE	SE 230 V	SE 400 V
Drive Connecting Power	1.1 kW, 230 V; 50 Hz	1.1 kW, 400 V; 50 Hz
RPM	2800 min <sup>-1</sup>	2800 min <sup>-1</sup>
Protection Level CEI 70-1 (EN 60529)	IP 55	IP 55
Pressure Tube Diameter and Length	Ø 140 mm; Length 5 m	Ø 140 mm; Length 5 m
Suction Tube Diameter and Length	Ø 140 mm; Length 3 m	Ø 140 mm; Length 3 m
Length x Width x Height	500 x 600 x 1100 mm	500 x 600 x 1100 mm
Weight (kg)	35 kg	35 kg



**Saw Dust Extractor SE**

TYPE	SV
Weight	32,5 kg
Stand Length x Width x Height	1065 x 1065 x 1420 x 1820 mm
Bag Length x Width x Height	90 x 90 x 140 mm
Load Capacity	1,5 t
Bag Volume	1,1 m <sup>3</sup>

**Saw Dust Bag Stand**

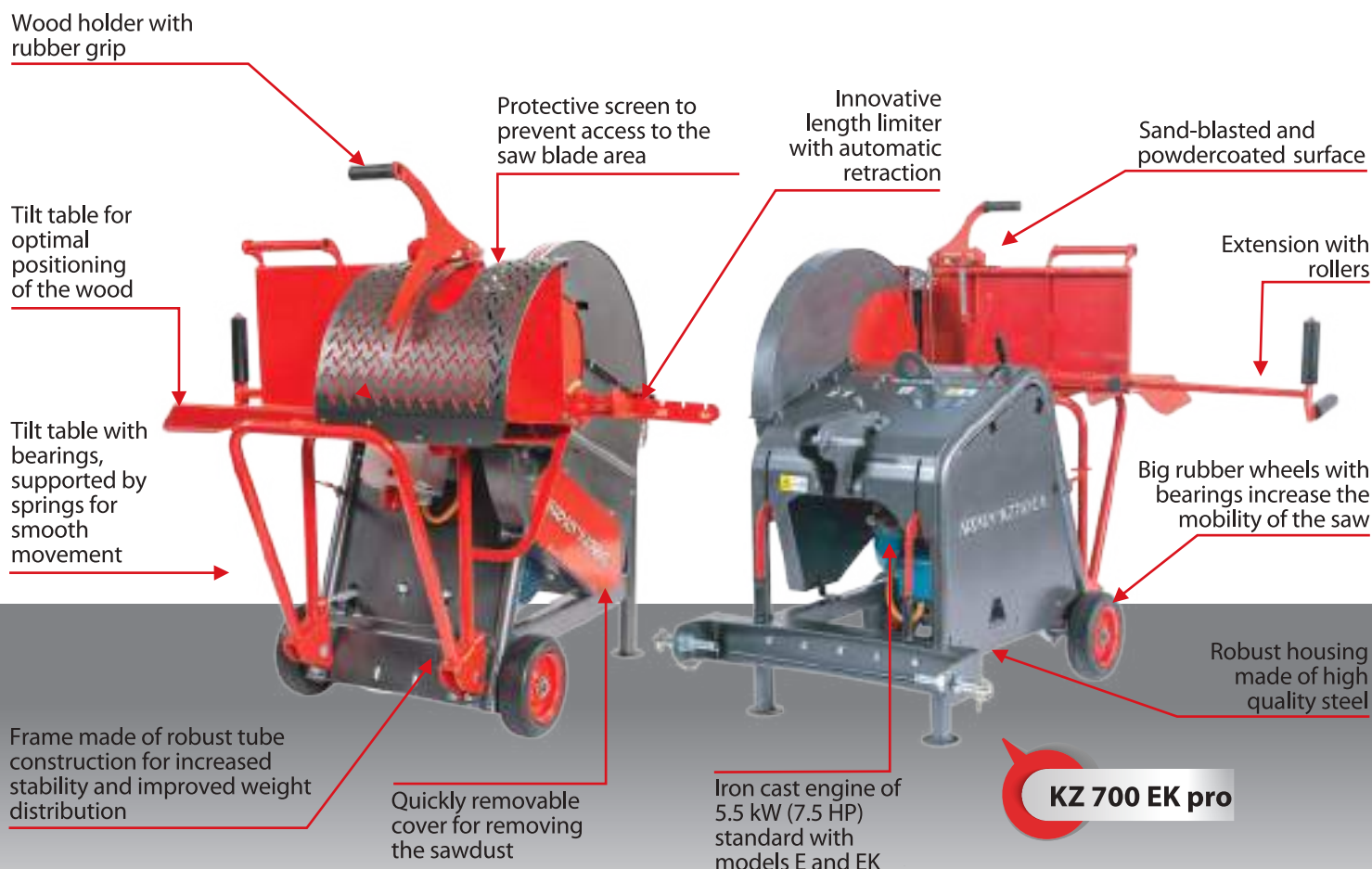


**Electric Power Pack MP**

TYPE	MP 20
Electric motor	15 kW/ 20,4 HP; 1440 min <sup>-1</sup> 50 HZ, 3- Phase, 400 V
P.T.O. Shaft Speed (RPM)	430
Weight (kg)	261



# KZ circular saws and TT conveyor belts



TYPE	KZ 700 K pro	KZ 700 E pro 400 V	KZ 700 EK pro 400 V
Drive	P.T.O shaft	Electric motor 5.5 kW / 7.5 HP	P.T.O shaft / Electric motor 5.5 kW / 7.5 HP
Saw Blade Speed	1750 min <sup>-1</sup>	1750 min <sup>-1</sup>	1750 min <sup>-1</sup>
Max. Sawing Diameter	Ø 240 mm	Ø 240 mm	Ø 240 mm
Saw Blade	Ø 700 mm	Ø 700 mm	Ø 700 mm
Z=60	-widia	-widia	-widia
Wheels	standard	standard	standard
Width	1026 mm	1026 mm	1026 mm
Height	1320 mm	1320 mm	1320 mm
Length	1100 mm	1100 mm	1100 mm
Weight	222 kg	245 kg	277 kg
Roller Extension	standard	standard	standard
Length Limiter	standard	standard	standard





**Circular saw  
with conveyor belt - telescopic**



**KZ 700 EK / TT 5 / 400 H**



TYPE	KZ 700 K pro / TT 5/400 H	KZ 700 E pro / TT 5/400 E	KZ 700 EK pro / TT 5/400 H	KZ 700 EK pro / TT 5/400 E
Saw Drive	P.T.O. shaft	Electric Motor 5.5 kW / 7.5 HP	P.T.O. shaft / El. Motor 5.5 kW / 7.5 HP	P.T.O. shaft / El. Motor 5.5 kW / 7.5 HP
Conveyor Drive	Hydrodrive	El. Motor 0.75 kW / 1 HP	Hydrodrive	El. Motor 0.75 kW / 1 HP
Width	1400 mm	1400 mm	1400 mm	1400 mm
Height	2750 mm	2750 mm	2750 mm	2750 mm
Length	1170 mm	1170 mm	1170 mm	1170 mm
Weight	567 kg	588 kg	622 kg	620 kg
Max. Sawing Diameter	Ø 240 mm	Ø 240 mm	Ø 240 mm	Ø 240 mm
Saw Blade	Ø 700 mm -widia	Ø 700 mm -widia	Ø 700 mm -widia	Ø 700 mm -widia
Roller Table Extension	standard	standard	standard	standard
Belt Length	5000 mm	5000 mm	5000 mm	5000 mm



**TT 5 / 400 H**

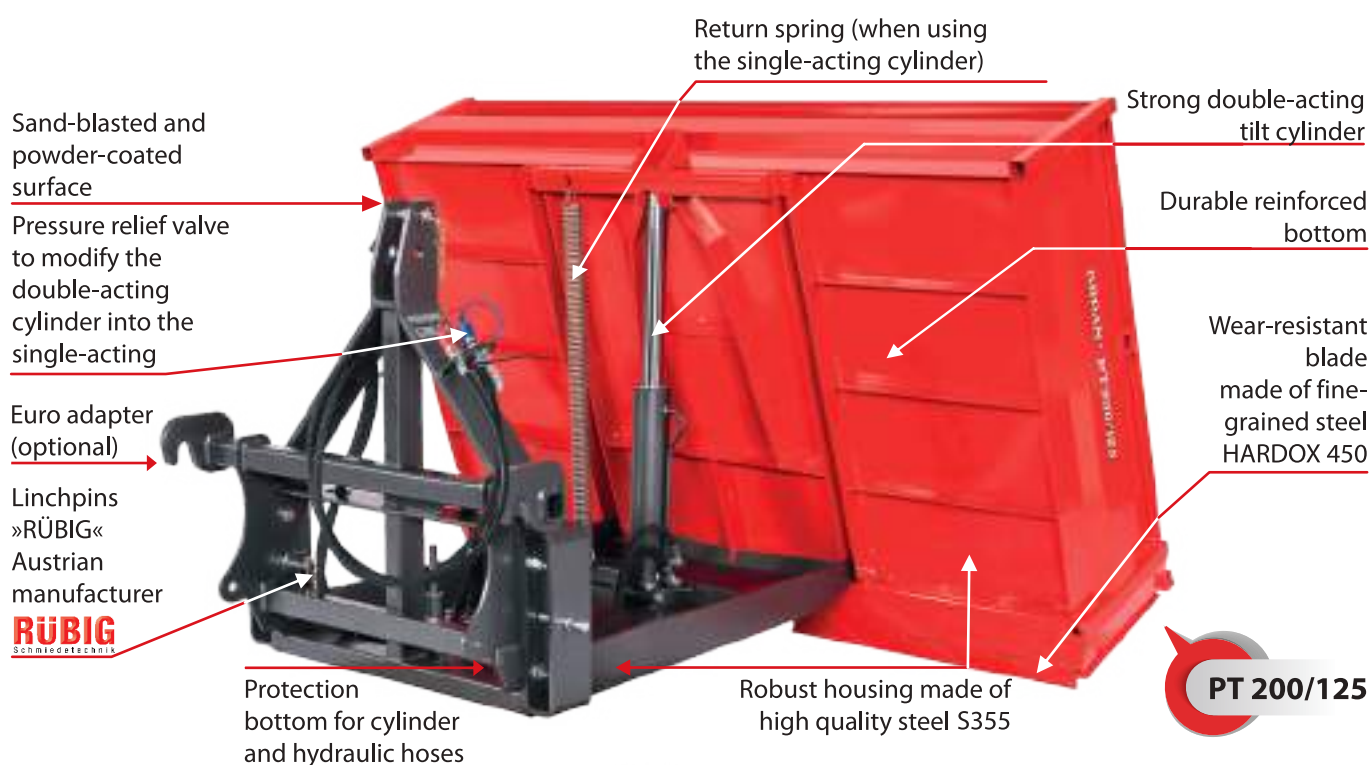
**Belt conveyor - telescopic**

TYPE	TT 5/400 H	TT 5/400 E 230 V	TT 5/400 E 400 V
Drive	hydro	Electric Motor 0,75 kW / 1 HP	Electric Motor 0,75 kW / 1 HP
Width	1135 mm	1135 mm	1135 mm
Incline Height	2400-3000 mm	2400-3000 mm	2400-3000 mm
Conveyor Length	5000 mm	5000 mm	5000 mm
Weight	272 kg	270 kg	270 kg
Belt Width	400 mm	400 mm	400 mm





# PT tipper boxes



TYPE	PT 120/80	PT 140/80	PT 160/80	PT 180/80	PT 200/80	PT 140/100	PT 160/100
Load Capacity (kg)	1000	1000	1000	1000	1000	2000	2000
Width (mm)	1200	1400	1600	1800	2000	1400	1600
Depth (mm)	800	800	800	800	800	1000	1000
Height (mm)	400	400	400	400	400	400	400
Recommended Tractor Power (kW/HP)	15-30 / 20-40	15-30 / 20-40	15-30 / 20-40	15-30 / 20-40	15-30 / 20-40	30-44 / 40-60	30-44 / 40-60
Mounting Category	I, II.	I, II.	I, II.	I, II.	I, II.	I, II.	I, II.
Weight (kg)	198	209	234	247	262	281	295
Double-Acting Cylinder System	standard	standard	standard	standard	standard	standard	standard
Additional Boards 350 mm (2 side + 1 front)	optional	optional	optional	optional	optional	optional	optional
Extension (back)	optional	optional	optional	optional	optional	optional	optional
EURO Adapter	optional	optional	optional	optional	optional	optional	optional





# KR PAN®

reliably stronger



**EURO Adapter**

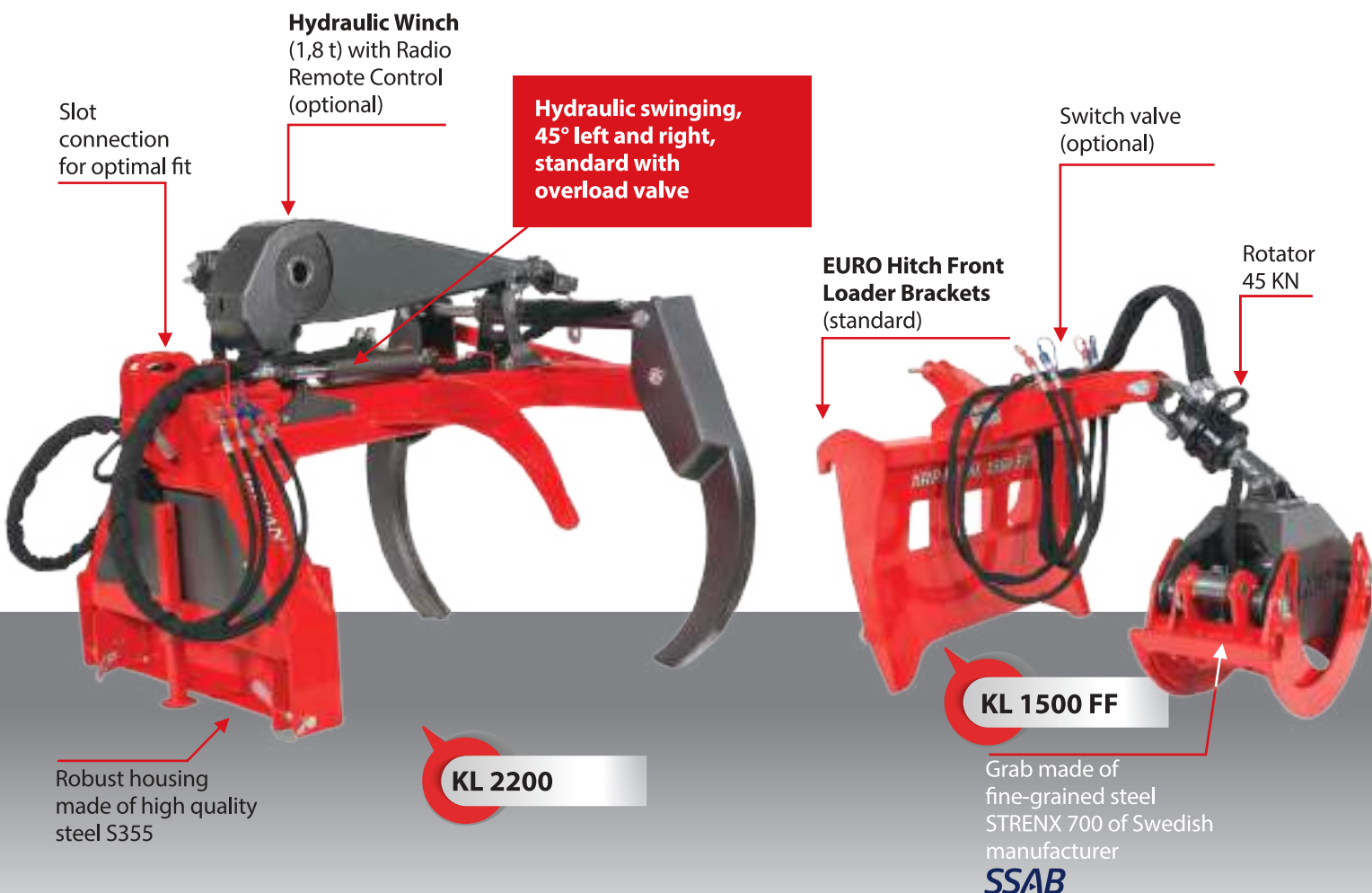


**Additional Boards**

TIP	PT 180/100	PT 200/100	PT 160/125	PT 180/125	PT 200/125	PT 220/125
Load Capacity (kg)	2000	2000	3500	3500	3500	3500
Width (mm)	1800	2000	1600	1800	2000	2200
Depth (mm)	1000	1000	1250	1250	1250	1250
Height (mm)	400	400	400	400	400	400
Recommended Tractor Power (kW / HP)	30-44 / 40-60	30-44 / 40-60	44-73 / 60-100	44-73 / 60-100	44-73 / 60-100	44-73 / 60-100
Mounting Category	I., II.	I., II.	I., II.	I., II.	I., II.	I., II.
Weight (kg)	327	342	352	376	383	413
Double-Acting Cylinder System	standard	standard	standard	standard	standard	standard
Additional Boards 350 mm (2 side + 1 front)	optional	optional	optional	optional	optional	optional
Extension (back)	optional	optional	optional	optional	optional	optional
EURO Adapter	optional	optional	optional	optional	optional	optional



# KL skidding grapples



TYPE	KL 2200	KL 1500 FF	KL 2500 F	KL 2500 T	KL 2500 TG
Weight (kg)	344	330	452	489	601
Width (mm)	1520	1080	960	960	960
Height (mm)	900	906	1300	1350	1350
Length closed (mm)	1600	900	1350	1400	1410
Range (without Grab)	1560	850	1310	2110	2110
Load Capacity (kg)	3000	1500	2500	2500**	2500**
3 Point Hitch with Butt Plate	standard	/	standard	standard	standard
320 mm Extension (on both sides)	/	/	optional	optional	optional
3 Point Linkage Category	II	EURO Hitch Front Loader Brackets (S) / Skid Steer Hitch (O)	II (with extension III)	II (with extension III)	II (with extension III)
Telescopic Extension - hydraulic	/	/	/	standard	standard
Recommended Tractor Power (kW/HP)	40-90 / 54-122	40-90 / 54-122	40-90 / 54-122	40-90 / 54-122	40-90 / 54-122
Double Flexible Interface	/	standard	standard	standard	standard
Side Shifting left and right	S (+,- 40°)	/	/	/	S (+,- 40°)
Tractor Hydraulic Control	standard	serijsko	standard	/	optional
Mechanical Joystick Control	optional	/	optional	standard	standard
Electric Joystick Control	optional	/	optional	optional	optional
Opening min/max (cm) and Gripping Force	10/220; 70 kN (S)	8/150; 100 kN (S) 8/170; 110 kN (O)	8/170; 110 kN (S) 8/150; 100 kN (O)	8/170; 110 kN (S) 8/150; 100 kN (O)	8/170; 110 kN (S) 8/150; 100 kN (O)
Endless Rotator 45 kN	/	standard	standard	standard	standard
Endless Rotator 55 kN	/	optional	optional	optional	optional
Max. Working Pressure (bar)	200	200	200	200	200
Hydraulic Winch (1,8 t / 30 m) with Radio Remote Control	optional	/	optional	optional	optional





Brass sliding bushings, with longer lifespan, German manufacturer »WIELAND«  
**Wieland**

Two cylinders to swivel the grapple arm to the right and to the left for +/- 40°, for equal strenght and speed on both sides

Adjustable sliding plates for better telescope guidance

Slot connection for optimal fit

Tube integrated 800 mm long telescope cylinder

Hydraulic control with two levers – double-acting connection required (**Joystick** optional)

Rotator 45 kN

Rotator with the double-flexible interface for longer lifespan

Sand-blasted and powder-coated surface

Grab made of fine-grained steel STRENGTH 700 of Swedish manufacturer **SSAB**

Robust housing made of high quality steel S355

Wear-resistant blade made of fine-grained steel HARDOX 45 of Swedish manufacturer **SSAB**

Grab blade made of fine-grained steel HARDOX 450 of Swedish manufacturer **SSAB**

Butt plate side extensions (optional)





# PD firewood bundler

Robust housing  
made of high quality  
steel  
S355

Sand-blasted and  
powder-coated surface

For 1 m<sup>3</sup> firewood

Bandreel holder

External  
hydraulic  
control of  
preload and  
tilting

EURO  
Hitch Front  
Loader  
Brackets

Hydraulic preload with  
2 t (optional)

Forklift Notches

PD 1200 H pro plus



PD 1200 M pro

TYPE	PD 1200 M pro	PD 1200 H pro	PD 1200 H pro plus
Length (mm)	1250	1250	1250
Max Width (mm)	1380	1380	1380
Height (mm)	1490	1490	1490
Capacity (m <sup>3</sup> )	1	1	1
Weight (kg)	270	280	284
Tipping	mechanical	hydraulic	hydraulic
Preload	mechanical	mechanical	hydraulic
Mounting Category	I, II	I, II	I, II
EURO Hitch Front Loader Brackets	standard	standard	standard

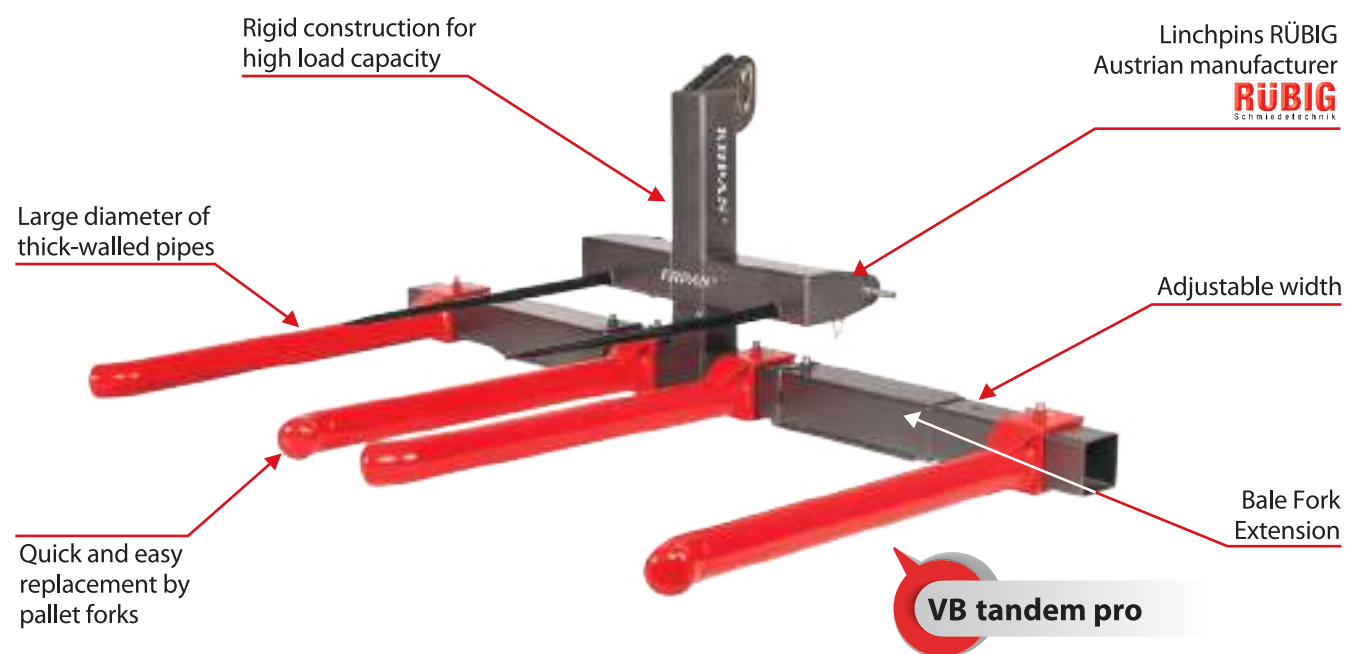
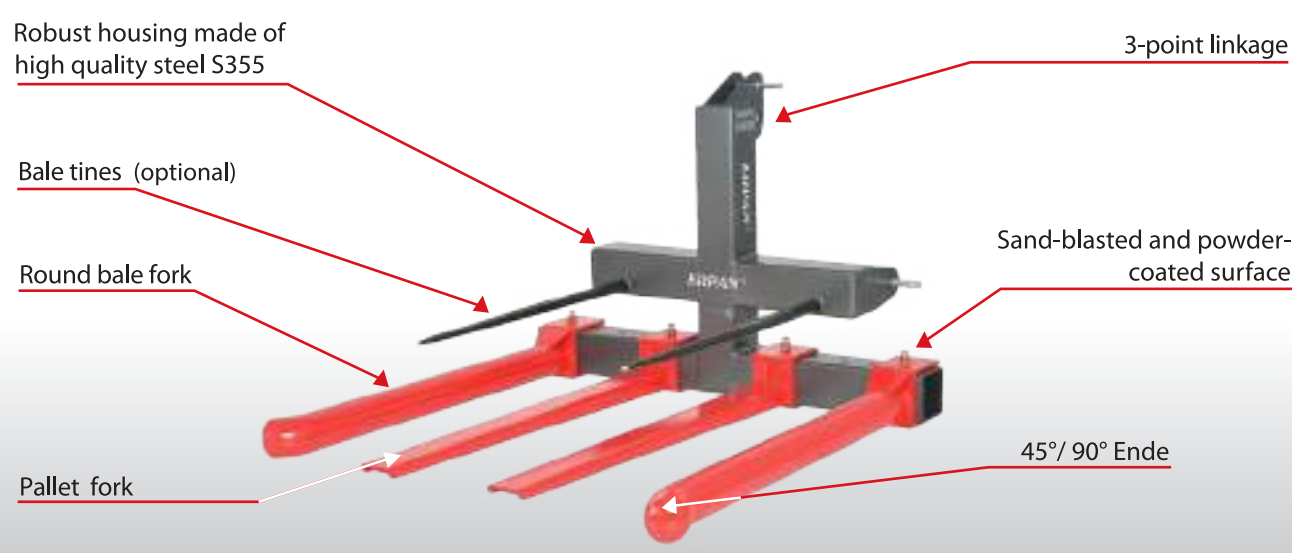
## ADDITIONAL EQUIPMENT

Textile Band (Polyester) W0 19-750-500 (1 bundle = 500 m)  
Steel Buckles; CB6 phosphated  
19 mm (1 Box=1000 pcs)  
Band Strapping Machine CCT up to 19 mm  
Band Dispenser CWD 80





# VB bale transporter



TYPE	VB round	VB pallet	VB round pro	VB pallet pro	VB tandem pro
Load Capacity	1000 kg	1000 kg	2000 kg	2000 kg	2000 kg
Weight	101 kg	111 kg	132 kg	132 kg	234 kg
Width	1300 mm	1300 mm	1400 mm	1400 mm	2800 mm
Distance between the forks min.	400 mm	400 mm	420 mm	420 mm	700 mm
Distance between the forks max.	1180 mm	1180 mm	1120 mm	1120 mm	1100 mm
Round Bale Fork L+R (32 kg)	standard	optional	/	/	/
Pallet Fork 1200 mm (42 kg)	optional	standard	/	/	/
Bale Fork Extension pro (102 kg)	/	/	optional	optional	standard
Round Bale Fork L+R (44 kg)	/	/	standard	optional	standard
Pallet Fork pro 1200 mm (46 kg)	/	/	optional	standard	optional
Bale Tines pro 1100 mm	/	/	optional	optional	optional
Mounting Category	I, II	I, II	I, II	I, II	I, II



# KS energy wood head

**NEW**

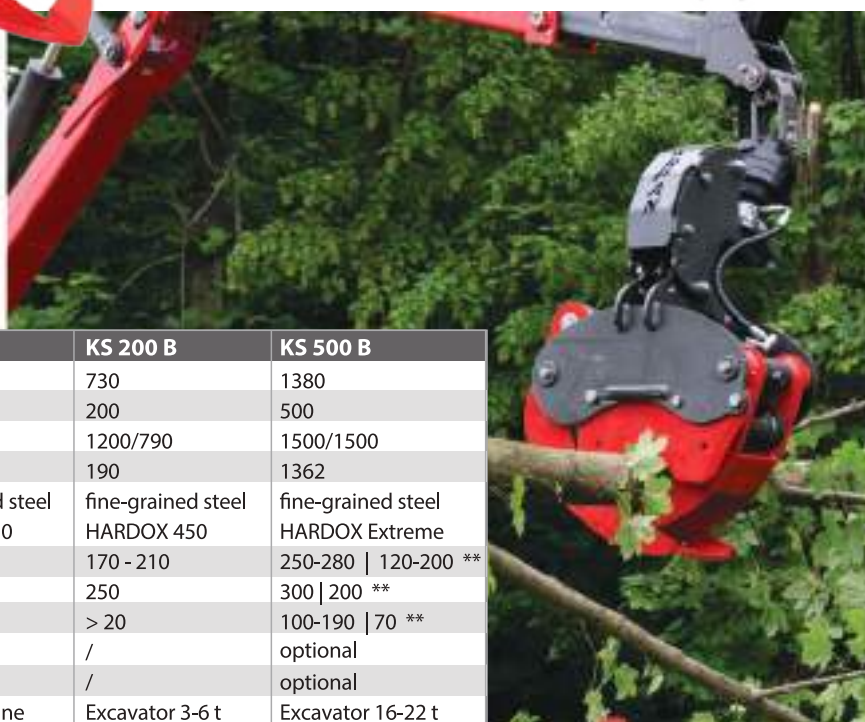


**KS 500 B**



**KS 200**

**KS 200 B**



TYPE	KS 200	KS 200 B	KS 500 B
Max. Opening (mm)	730	730	1380
Max. Cut Diameter	200	200	500
Width open / closed (mm)	1200/790	1200/790	1500/1500
Weight (kg)	170	190	1362
Blade	fine-grained steel HARDOX 450	fine-grained steel HARDOX 450	fine-grained steel HARDOX Extreme
Recommended Pressure (bar)	170 - 210	170 - 210	250-280   120-200 **
Max. Pressure (bar)	250	250	300   200 **
Recommended Oil Flow (l/min)	> 20	> 20	100-190   70 **
Rotator endless 360°	optional	/	optional
Collector	/	/	optional
Usage	Forestry Crane	Excavator 3-6 t	Excavator 16-22 t









# GP forestry trailers with GD cranes



Forestry crane made of fine-grained steel STRENGTH 700 of Swedish manufacturer **SSAB**

Bronze sliding bushings, with longer lifespan

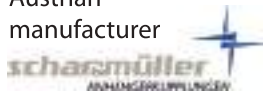
Self-sufficient hydraulic system and oil tank with substantial oil quantity

Standing platform with control lever stand and backrest

Cast-iron pump for silent operation without maintenance

Practical foldable ladder

Trailer coupling produced by Austrian manufacturer



Steerable drawbar with 2 cylinders: steering angle +/- 40°

Lower or upper hitch by choice



P.T.O. shaft support



Oil cooler

„Flap down“ or A support legs by choice

Protected support leg cylinder

Grab blade made of fine-grained steel HARDOX 450 of Swedish manufacturer **SSAB**

Patented safety mechanism of the stakes





**3** year warranty

Forest crane with great lifting capacity produced by KR PAN



Sand-blasted and powder-coated surface

Double beam frame for better torsion resistance

Loading Area Extension

Foldable LED lighting

Strong axles »ADR«

Reinforced rims and valve protection

18 layer tires »BKT«

Optional »BLACK BRUIN« axle drive; Finish manufacturer

Patented hydraulic frame setting to adjust the center of gravity



Patented hydraulic frame setting to adjust the center of gravity



Hydraulic brakes on all 4 wheels (optional: pneumatic brakes)



Operating hours counter



Foldable LED lighting



Hand Brake

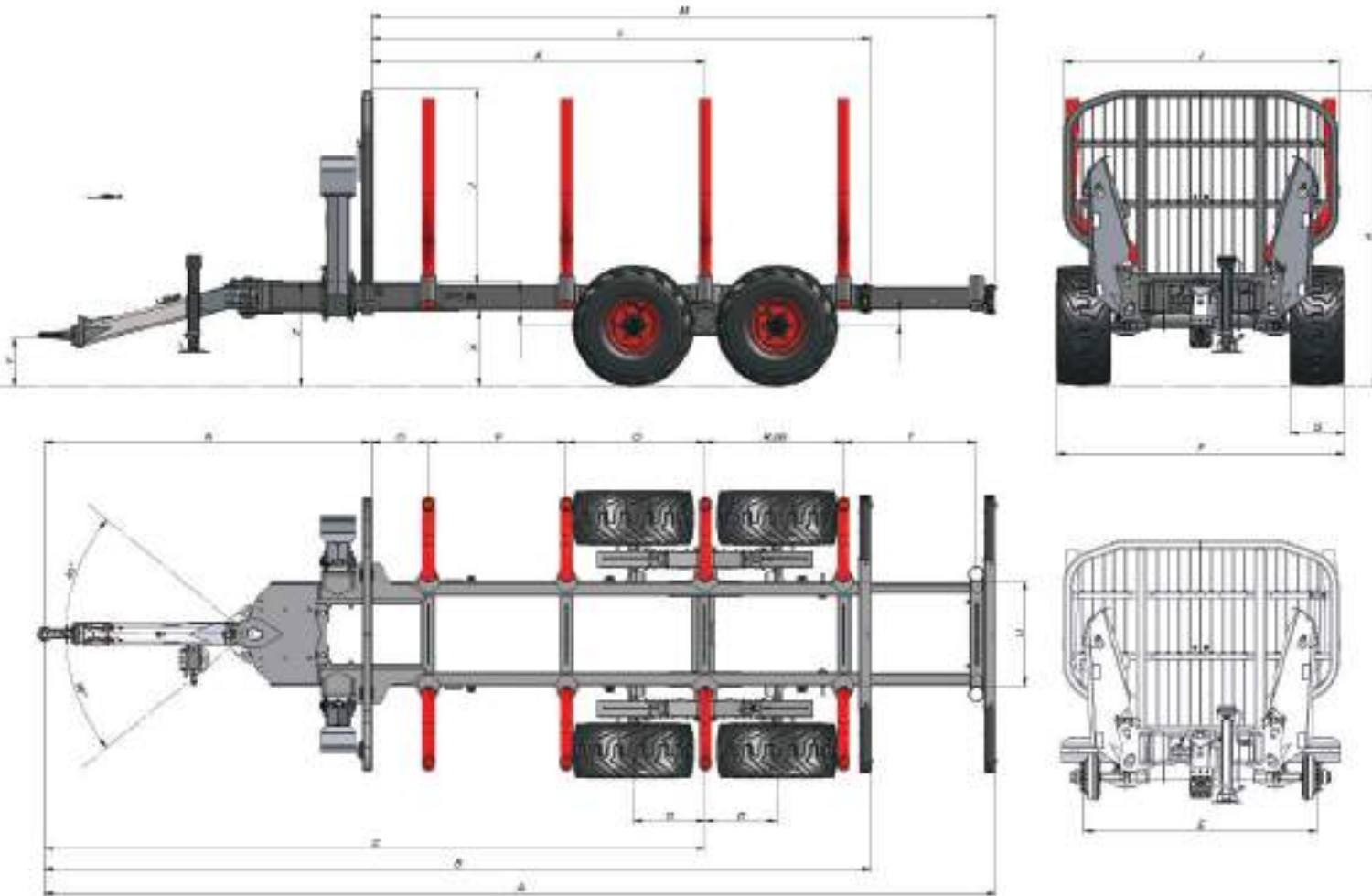


Practical foldable standing platform with backrest, control lever stand and protection



**Black Bruin**  
No power like it.





TIP	GP 8 DF	GP 9 DF	GP 10 DF	GP 11 D	GP 12 DF	GP 13 D	GP 14 DF	GP 15 D
A (mm)	6814	6814	6814	6724	7114	7114	7464	7464
B (mm)	5919	5919	5919	5819	6209	6209	6559	6559
C (mm)	4730	4730	4730	4262-4853	4574	4470-5160	4744	4620-5410
D (mm)	515	515	515	510	560	510	560	510
E (mm)	1667	1667	1667	1752	1732	1818	1832	1918
F (mm)	2060-2160	2060-2160	2060-2160	2142-2351	2122-2420	2208-2400	2222-2550	2308-2530
G (mm)	400	400	400	400	400	400	400	400
H (mm)	2116	2116	2116	2140	2388	2383	2390	2383
I (mm)	1964	1964	1964	1964	2015	2015	2115	2115
J (mm)	1400	1400	1450	1450	1615	1615	1615	1615
K (mm)	2390	2390	2390	2024-2615	2215	2110-2800	2385	2260-3050
L (mm)	3582	3582	3582	3582	3850	3850	4235	4235
M (mm)	4477	4477	4477	4477	4745	4745	5095	5095
N (mm)	2337	2337	2337	2337	2360	2360	2360	2360
O (mm)	407	407	407	347	395	395	395	395
P (mm)	990	990	990	610	910	550	995	600
Q (mm)	990	990	990	750	910	850	995	953
R (mm)	990	990	990	1240	910	1330	995	1427
S (mm)	/	/	/	450	550	550	645	650
T (mm)	951	951	951	941	931	931	931	931
U (mm)	750	750	750	750	800	800	900	900
V (mm)	342	342	342	359	392	388	394	388
Z (mm)	748	748	748	765	799,5	792	798,5	792
X (mm)	545	545	545	562	572	567	568	567
Head Board Area Cross-Section (m <sup>2</sup> )	2	2	2,15	2,15	2,48	2,48	2,64	2,64
Loading Volume without Extension (m <sup>3</sup> )	6,9	6,9	7,7	7,7	9,9	9,9	11,37	11,37
Loading Volume with Extension (m <sup>3</sup> )	8,86	8,86	9,62	9,62	11,84	11,84	13,4	13,4
Loading Surface without Extension (m <sup>2</sup> )	2,58	2,58	2,58	2,85	3,16	3,16	3,87	3,87
Loading Surface with Extension (m <sup>2</sup> )	3,18	3,18	3,18	3,45	3,8	3,8	4,58	4,58



TYPE	GP 8 DF	GP 9 DF	GP 10 DF	GP 11 D	GP 12 DF	GP 13 D	GP 14 DF	GP 15 D
Load Capacity (kg)	8.000	9.000	10.000	11.000	12.000	13.000	14.000	14.800
Central Beams (mm)	2/180×100x6	2/180×100x6	2/180×100x6	2/180×100x6	2/200×100x6	2/200×100x6	2/200×100x8	2/200×100x8
Loading Length / with Extension (mm)	3582/ (4477)	3582/ (4477)	3582/ (4477)	3707 / (4487)	3975 / (4755)	3975 / (4755)	4325 / (5105)	4325 / (5105)
Total Length (with Extension) / Width (mm)	5919 (6814) / 2067	5919 (6814) / 2067	5919 (6814) / 2067	5944 (6724) / 2152	6209 (7100) / 2122	6334 (7114) / 2220	6559 (7454) / 2222	6686 (7466) / 2318
Weight (kg)*	1690	1690	1690	1734	2100	2144	2300	2352
Tires Alliance 400/60-15,5; 16 ply.	standard	standard	standard	/	/	/	/	/
Tires BKT 400/60-15,5; 18 ply.	optional	optional	optional	standard	standard	standard	standard	standard
Tires Alliance 480/45-17; 14 ply.	optional	optional	optional	optional	/	/	/	/
Tires BKT 500/50-17; 18 ply.	optional	optional	optional	optional	optional	optional	optional	optional
Tires BKT 400/55-22,5; 20 ply.	/	/	/	/	optional	optional	optional	optional
Tires BKT 550/45-22,5; 20 ply.	/	/	/	/	optional	optional	optional	optional
Tires BKT ali Alliance 600/50-22,5; 18 ply.	/	/	/	/	/	/	optional	optional
No. of Frame Steering Cylinders	2	2	2	2	2	2	2	2
Drawbar Angle	+,- 40°	+,- 40°	+,- 40°	+,- 40°	+,- 40°	+,- 40°	+,- 40°	+,- 40°
Hydraulic Brakes on All 4 Wheels	standard	standard	standard	standard	standard	standard	standard	standard
Pneumatic Brakes on All 4 Wheels	optional	optional	optional	optional	optional	optional	optional	optional
Combined Brakes on All 4 Wheels (pneumatic + hydraulic)	/	/	/	optional	/	optional	/	optional
Combined Brakes on All 4 Wheels (overrun brake + hydraulic)	optional	/	/	/	/	/	/	/
Dual-Circuit Hydraulic Brake System	optional	optional	optional	optional	optional	optional	optional	optional
2WD Inner Drum Drive	/	/	/	optional BB4 **	optional BB4**/ BB5***	optional BB4**/ BB5***	optional BB5***	optional BB5***
4 WD Inner Drum Drive	/	/	/	/	optional BB4**/ BB5***	optional BB4**/ BB5***	optional BB5***	optional BB5***
Stakes (Pair)	3	3	3	4	3	4	3	4
Loading Area Extension	optional	optional	optional	standard	optional	standard	optional	standard
Hydraulic Frame Setting	/	/	/	standard (600 mm)	/	standard (700 mm)	/	standard (800 mm)
LED Rear Lights	standard	standard	standard	standard	standard	standard	standard	standard
Wedges	standard	standard	standard	standard	standard	standard	standard	standard
Hand Brake	standard	standard	standard	standard	standard	standard	standard	standard
Additional Stakes	optional	optional	optional	optional	optional	optional	optional	optional
Brushwood Bin	optional	optional	optional	optional	optional	optional	optional	optional
Bale Trailer Platform	optional	optional	optional	optional	optional	optional	optional	optional
Bale Trailer Platform	/	/	/	/	/	/	/	optional
Hydraulic Support Leg	optional	optional	optional	optional	optional	optional	optional	optional
Towing eye Ø 40 fix	standard	standard	standard	standard	standard	standard	standard	standard
Towing eye Ø 50 fix	optional	optional	optional	optional	optional	optional	optional	optional
Towing eye Ø 50 rotating	optional	optional	optional	optional	optional	optional	optional	optional
Towing eye ball couoling system K 80	optional	optional	optional	optional	optional	optional	optional	optional
P.T.O. Shaft Walterscheid	optional	optional	optional	standard	optional	standard	optional	standard
Wood Pick, Axe, Chainsaw and Canister Holder	optional	optional	optional	standard	optional	standard	optional	standard
Tool Box	optional	optional	optional	standard	optional	standard	optional	standard
Axle (mm)	60 × 60	70 × 70	70 × 70	70 × 70	80 × 80	80 × 80	80 × 80	80 × 80

\* Weight without Wheels

\*\* BB4 with Tires 400/60-15,5 or 480/45-17 or 500/50-17

\*\*\* BB5 with Tires 500/50-17 or 400/55-22,5 or 550/45-22,5 or 600/50-22,5

TYPE	GP 8 DF	GP 9 DF	GP 10 DF	GP 11 D	GP 12 DF	GP 13 D	GP 14 DF	GP 15 D
GD 6,6 K	•	•	•	•	X	X	X	X
GD 7,6 K	•	•	•	•	X	X	X	X
GD 7,4 K	X	X	X	•	•	•	•	•
GD 8,6 K	X	X	X	X	•	•	•	•
GD 7,2 Z	X	X	X	X	•	•	•	•
GD 8,4 Z	X	X	X	X	•	•	•	•

**POSSIBILITIES TO COMBINE  
CRANES WITH TRAILERS**

• possible  
x not possible



# forestry crane control



Cross Lever Control  
with el. ON/OFF Functions



Mechanical EURO Control

Proportional Hydraulic (low-pressure) Joystick Control



Proportional Electric Joystick Control



Radio Remote Control ELCA BRAVO M



High Seat  
with Mechanical  
Control Levers



High Seat  
with Proportional  
Electric Joystick  
Control







**3** year  
warranty

# forestry trailer accessories



Brushwood Bin



Bale Trailer Platform



Platform



Round Bale Adapter

# forestry crane accessories

Hydraulic Winch

Operational LED Lights



# GP forestry trailers with GD cranes

GP 13 D with GD 7,4 K



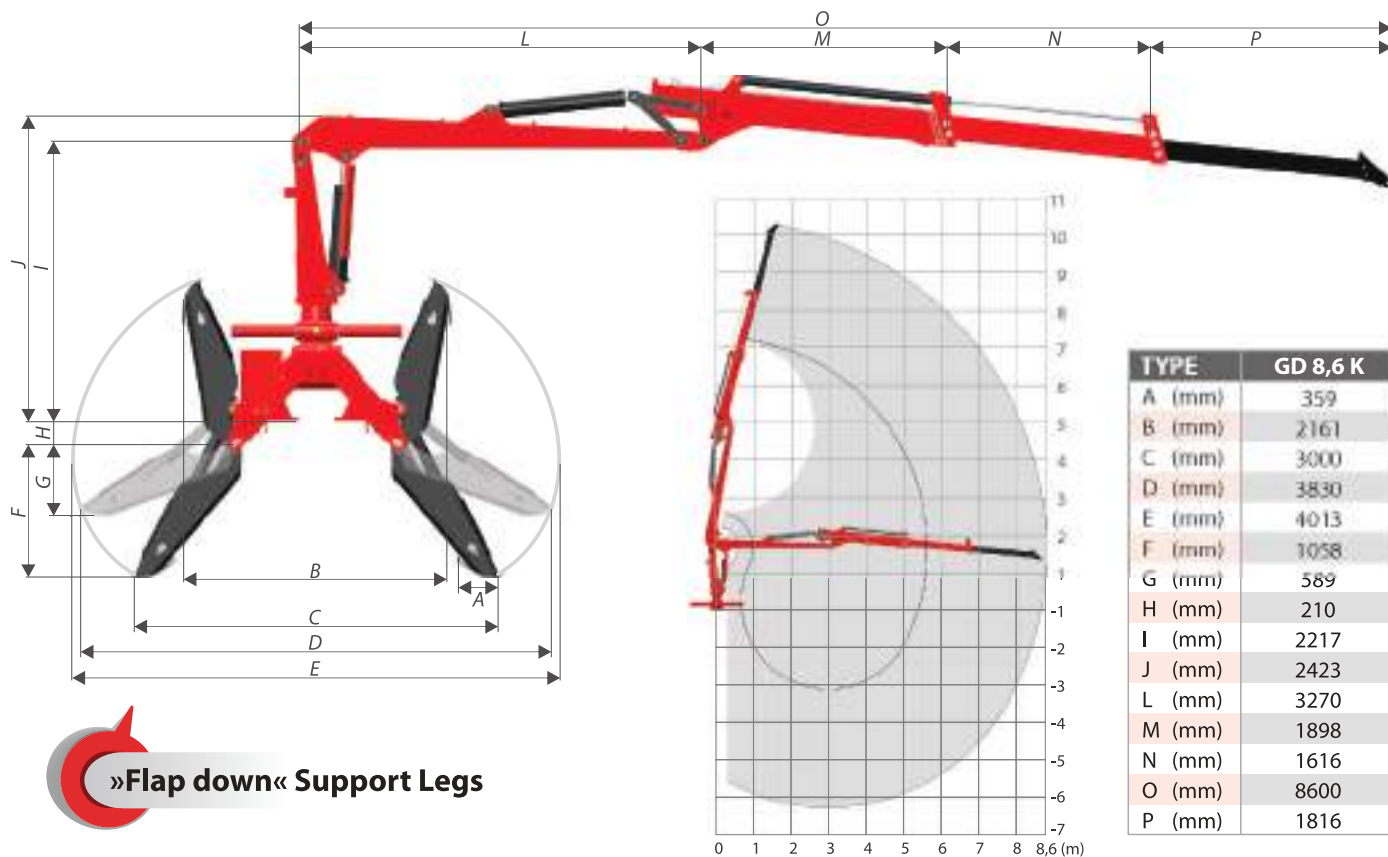
TYPE	GD 6,6 K	GD 7,6 K	GD 7,4 K	GD 8,6 K	GD 7,2 Z	GD 8,4 Z
Reach max. / with Grab open (m)	6,6 / 7,2	7,6 / 8,2	7,4 / 8,0	8,6 / 9,2	7,2 / 7,8	8,4 / 9,0
Lifting Torque net (kNm)	40	39	63	58	62	60
Lifting Capacity at 4 m with Grab (kg)	1020	1020	1860	1670	1460	1427
Lifting Capacity at max. Reach (kg)	600	500	850	720	894	760
Weight (kg)*	900	930	1516	1706	1530	1855
Slew Torque (kNm)	16	16	22	21,8	22	22
Slewing Angle	375°	375°	380°	380°	370°	370°
System Pressure (bar)	220	220	230	230	230	230
Oil Quantity in Tank (l)	70	70	100	100	100	100
Slew Cylinders	4	4	4	4	4	4
Telescopic Stages	1	1	1	2	1	2
Support Legs (A or "flap down" by choice)	A / "flap down"	A / "flap down"	"flap down"	"flap down"	"flap down"	"flap down"
Crane Rotating Gear in Oil Bath	standard	standard	standard	standard	standard	standard
Self Sufficient Hydraulic System with Cast-Iron Pump	optional	standard	standard	standard	standard	standard
3 Point Linkage	optional	optional	optional	optional	optional	optional
Control with Mechanical Joysticks	standard	standard	optional	optional	optional	optional
Cross Lever Control with el. ON/OFF Functions	optional	optional	/	/	/	/
Proportional Hydraulic (low pressure) Joystick control	optional	optional	standard	standard	standard	standard
Control with Proportional Electrical Joysticks	optional	optional	optional	optional	optional	optional
High Seat Control	/	/	optional	optional	optional	optional
Radio Remote Control **	optional	optional	optional	optional	optional	optional
Control Lever Protection	standard	standard	standard	standard	standard	standard
Double Cast-Iron Pump (tandem) with Double Circuit Control ***	/	/	optional	optional	optional	optional
Piston Pump	/	/	optional	optional	optional	optional
Single Flow Piston Pump with Multiplier	/	/	optional	optional	optional	optional
Double Flow Piston Pump with Double Circuit Control	/	/	optional	optional	optional	optional
Double Flow Piston Pump with Double Circuit Control with Multiplier	/	/	optional	optional	optional	optional
LS Tractor System without its Own Hydraulic System	optional	optional	optional	optional	optional	optional
Oil Cooler	optional	optional	standard	standard	standard	standard
Rotator 30 kN (with Flange)	standard	standard	/	/	/	/
Rotator 45 kN (with Flange)	optional	optional	standard	standard	standard	standard
Rotator 55 kN (with Flange)	optional	optional	optional	optional	optional	optional
Flange Rotator 45 kN / 55 kN	/	/	optional	optional	optional	optional
Grab GR 120 with Flange	standard	standard	/	/	/	/
Grab GR 130	optional	optional	standard	standard	standard	standard
Grab GR 150	optional	optional	optional	optional	optional	optional
Profi Grab GR 20 / GR 24 / GR 24 BIO / GR 30 or GR 38	optional	optional	optional	optional	optional	optional
Swing Damper (single / double)	optional	optional	optional	optional	optional	optional
Operational LED Lights	optional	optional	optional	optional	optional	optional
Operating Hours Counter - Pressure	optional	optional	standard	standard	standard	standard
Hydraulic Winch 1.8 t	optional	optional	optional	optional	/	/
Log Holder	optional	optional	optional	optional	/	/

\* Weight without Support Legs, Oil, Grab and Rotator

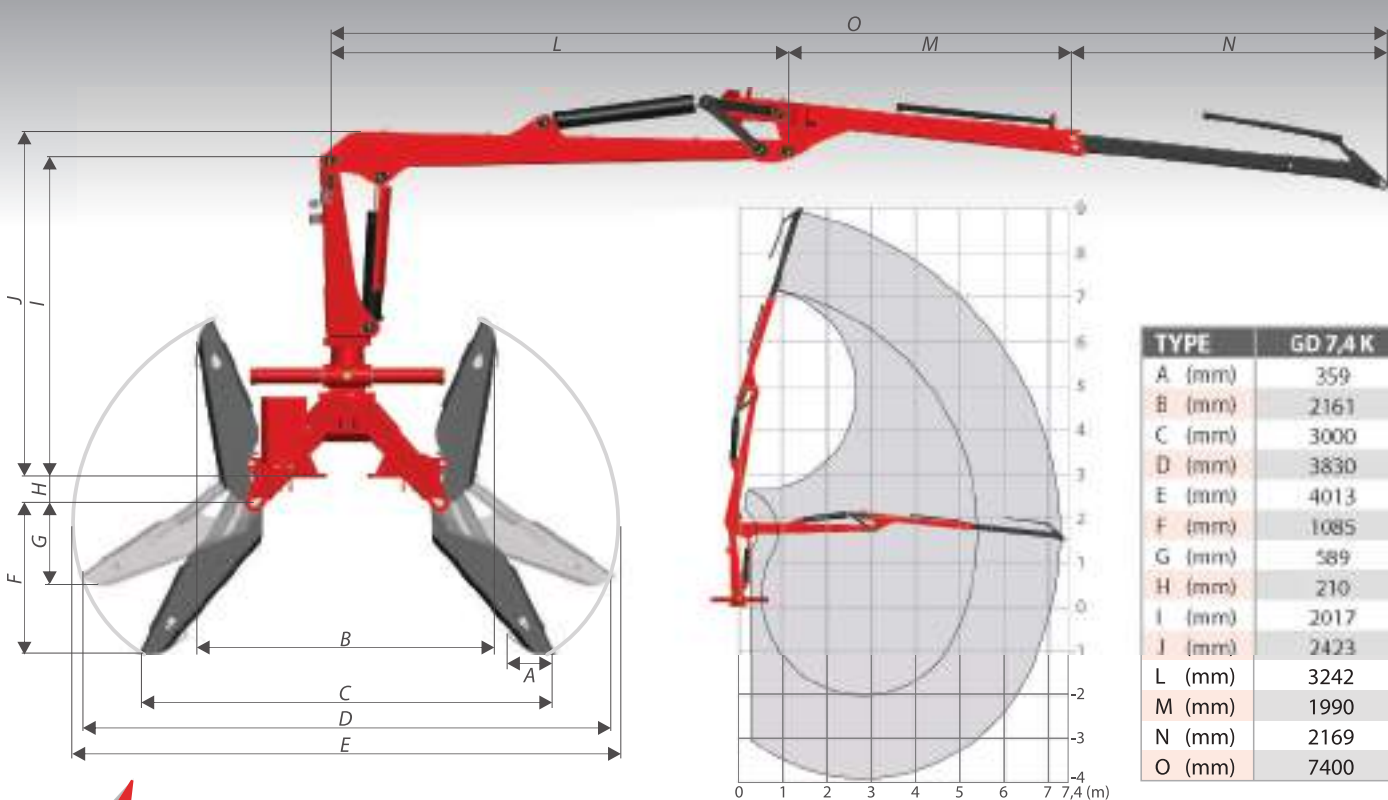
\*\* With Proportional Electrical Joysticks

\*\*\* Double Cast-Iron Pump (tandem) with double circuit control is not possible with upper hitch.

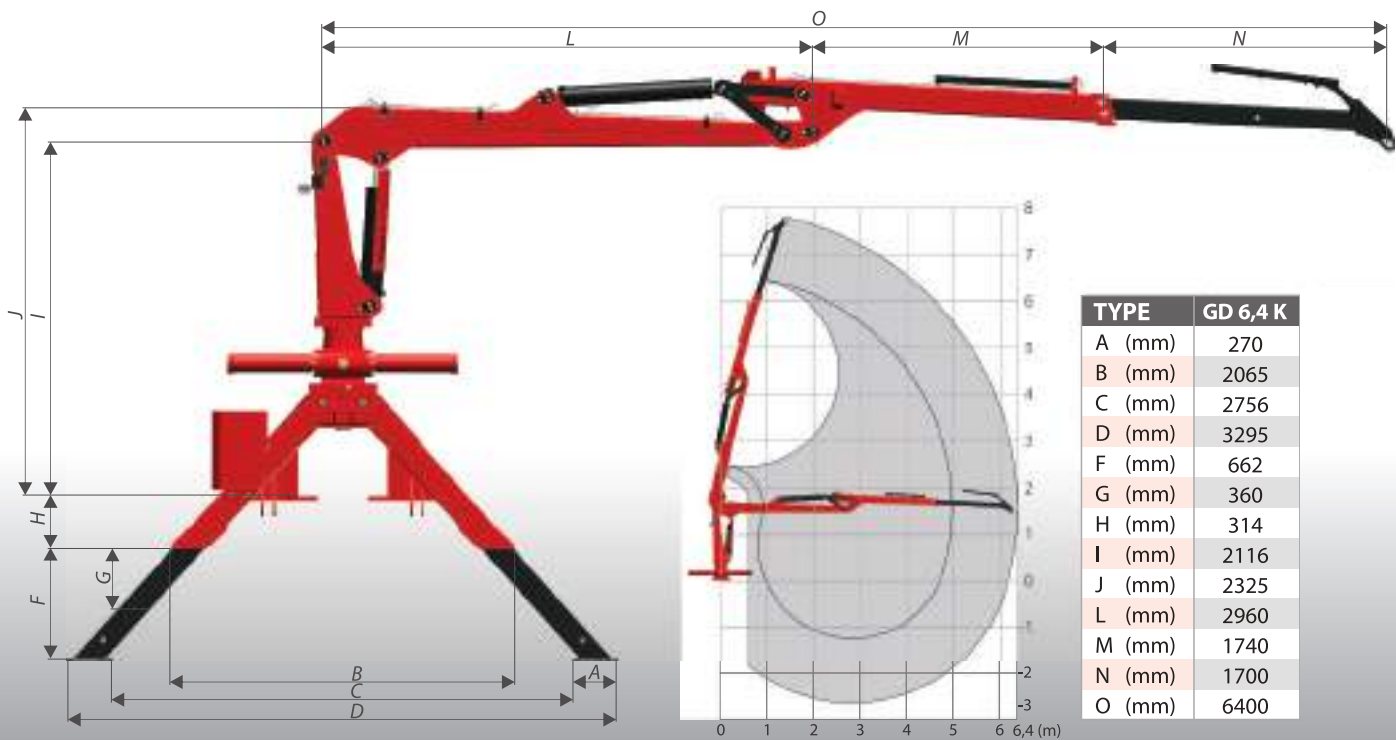




»Flap down« Support Legs



»Flap down« Support Legs



**A Support Legs**





# GR grabs

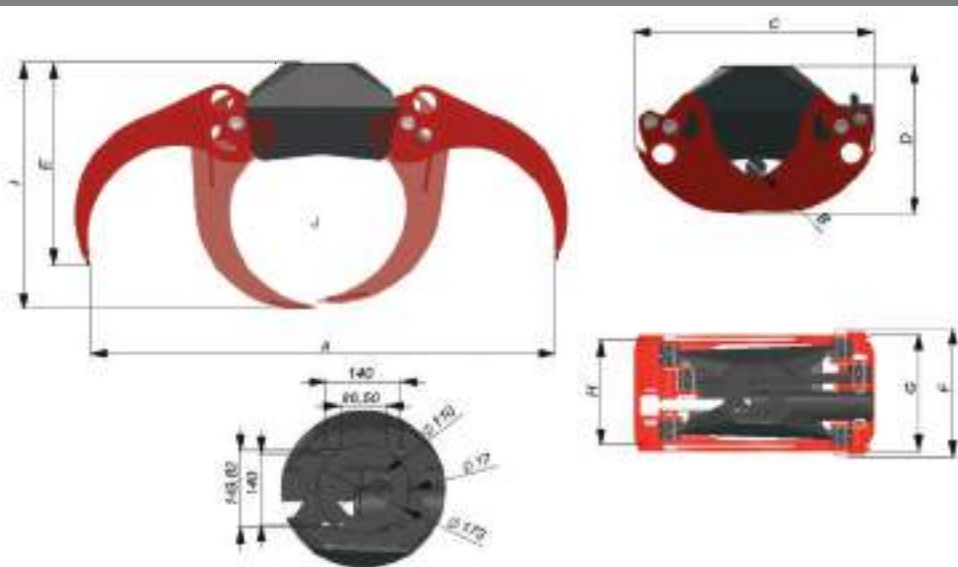


open



closed

Grab blade made of fine-grained steel HARDOX 450 of Swedish manufacturer **SSAB**



Biomass Grab



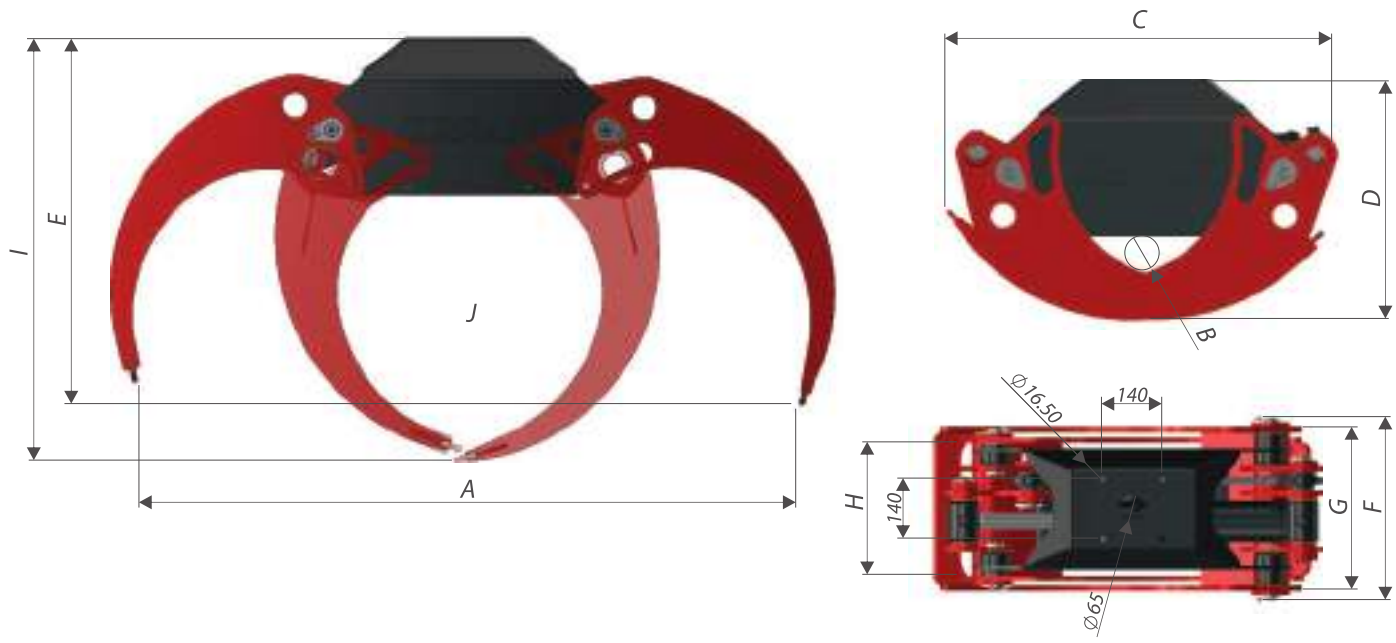
Grab Bucket

**NEW**

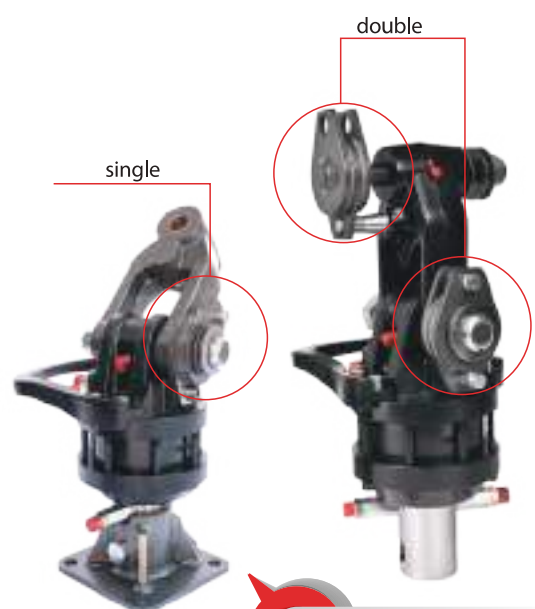
## Pro Line GR

TYPE	GR 20	GR 24	GR 24 BIO*	GR 30	GR 38
A Max. Opening Width (mm)	1375	1570	1570	1750	2050
B Smallest Diameter (mm)	82	90	90	75	90
C Length - closed (mm)	780	815	815	915	985
D Height - closed (mm)	550	570	570	570	605
E Height - open (mm)	730	708	708	775	760
F Width 1 (mm)	494	494	494	494	494
G Width 2 (mm)	450	450	450	450	450
H Width 3 (mm)	402	402	402	402	402
I Height - partly closed (mm)	835	880	880	955	1025
J Cross-Section (m <sup>2</sup> )	0,20	0,24	0,24	0,30	0,38
Max. Pressure (bar)	250	250	250	250	250
Gripping Force at Max. Pressure (kN)	14,6	13,5	13,5	19,5	20,1
Load Capacity (kg)	4500	5000	5000	6000	7000
Weight (kg)	155	179	194	204	230

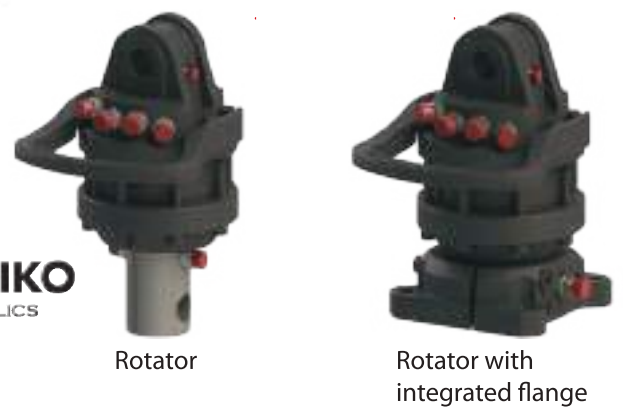
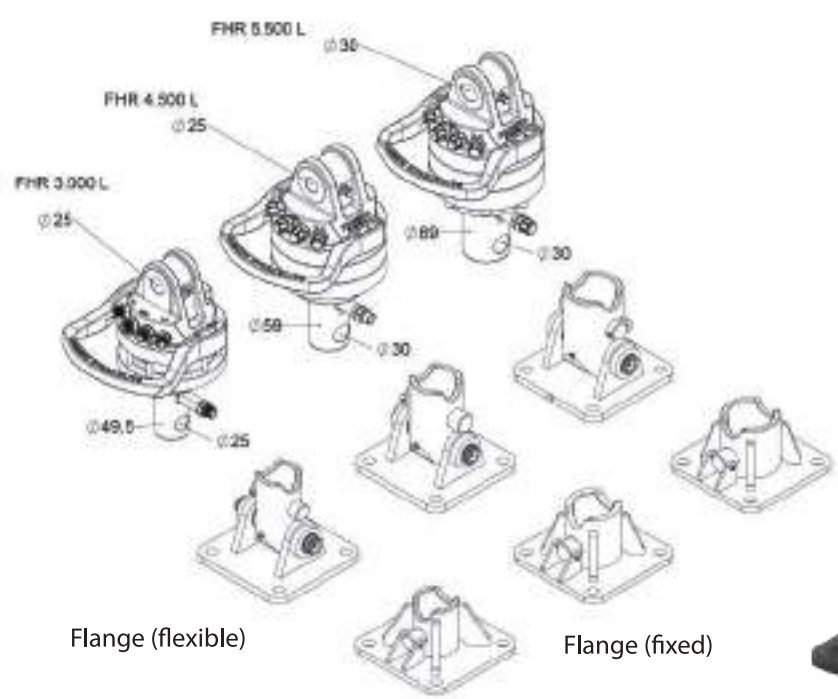
\* Biomass Grab



	TYPE	GR 120	GR 130	GR 150	GR 170
A	Max. Opening Width (mm)	1250	1300	1500	1700
B	Smallest Diameter (mm)	58	70	70	90
C	Length - closed (mm)	745	807	910	1035
D	Height - closed (mm)	505	515	552	563
E	Height - open (mm)	760	770	857	961
F	Width (mm)	382	423	421	421
G	Width 2 (mm)	354	383	381	381
H	Width 3 (mm)	314	310	310	310
I	Height - partly closed (mm)	840	847	943	1033
J	Cross-Section (m²)	0,18	0,23	0,29	0,41
	Max. Pressure (bar)	230	230	230	230
	Gripping Force at Max. Pressure (kN)	14,0	12,5	13,4	14,7
	Load Capacity (kg)	3000	3500	3500	4000
	Weight (kg)	90	138	165	205



Swing damper







# KR PAN®

reliably stronger

Vitli **KR PAN** with its **260 employees** strives for maximum **ecological awareness** and pays attention to environmental protection. This is also the reason why quite some years ago we started using biomass as a mean of heating **19.000 square metres of production facilities** and **solar energy – 500 kW** as a source of electric power.

## PRODUCTION OF AGRICULTURAL AND FORESTRY MACHINERY

### PIŠEK - Vitli KR PAN, d.o.o.

Jazbina 9/a,  
SI-3240 Šmarje pri Jelšah

tel.: +386 3 819 00 90  
fax: +386 3 819 00 92

e-mail: [info@vitli-krpan.com](mailto:info@vitli-krpan.com)  
[www.vitli-krpan.com](http://www.vitli-krpan.com)



! The pictures may show equipment which is not included in the standard equipment. We reserve the right to possible printing errors. All technical specifications are subject to continuous development; consequently, the delivered items may deviate from this data.

KR PAN® 9/2022





# IRITAN<sup>®</sup>

09 / 2022

